

VENDOR: DINA CONSULTING
612 ST SOUTH
NAMPA IDAHO 83651

CONTACT INFO:

SALES REP: JOHN DINA
PH: 1-208-440-1877
EMAIL: JOHN@DINACONSULTING.COM

P/N: LCD-1208329
UOM: EA

2 YEAR WARRANTY

DESIGNED TO EXCEED EMC REQUIREMENTS IEC 60571

INPUT POWER

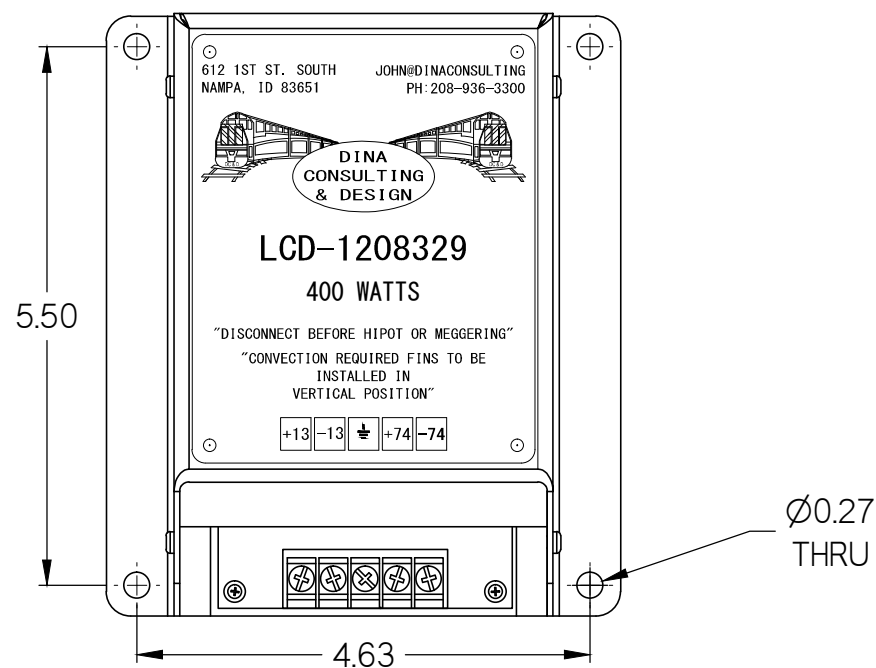
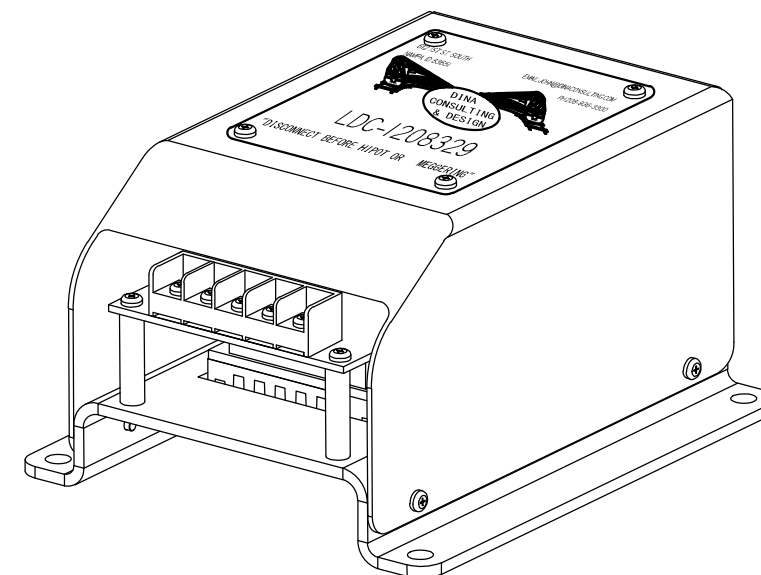
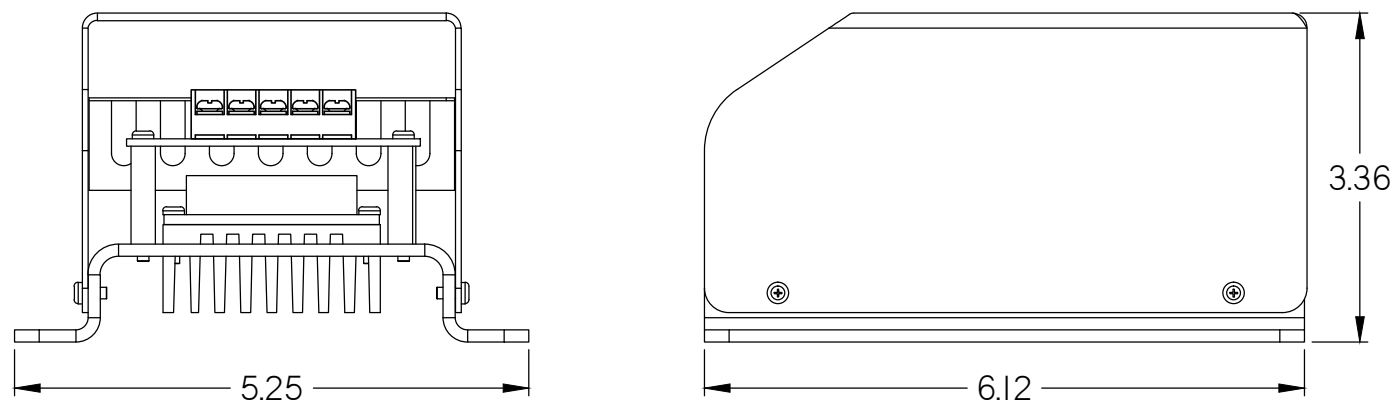
VOLTAGE RANGE: 43 VDC – 85 VDC
UNDER VOLTAGE: (OFF AT 30 VDC)
(ON AT 35 VDC)

OUTPUT POWER


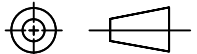
VOLTAGE: 13.8 VDC
CURRENT: 230 W
EFFICIENCY: 87.9%
VOLTAGE – ISOLATION: 3 KV (3000 V)
OVER PROT. SET POINT: 28 VDC

ENVIRONMENT

OPERATIONAL AMBIENT
TEMP: -40 C TO +85 C
STORAGE TEMP: -50 C TO +100 C



REV	DESCRIPTION	DATE	REVISOR	CHECKED BY	RELEASED BY
-	INITIAL RELEASE	07/12/16	J. MANGEAC	DCD	J. DINA

REVISION HISTORY						
UNLESS OTHERWISE SPECIFIED, DIMENSIONS ARE IN INCHES. TOLERANCES ARE:		APPROVALS		 DC & D DINA CONSULTING & DESIGN 612 1ST SOUTH DINACONSULTING.COM 208-936-3300		
DECIMALS	FRACTIONS	DRAWN:	JOMANGEAC			07/08/16
X = ±2	X/X = ±1/4	CHECKED:	DCD			07/12/16
.XX = ±0.06	ANGLES	ENGINEER:	JDINA			07/12/16
XXX = ±0.10	X = ±1°	FIRST USED				
	XX = ±0.5°	MODEL FILE				
DO NOT SCALE DRAWING		DRAFT FILE				
THIRD ANGLE PROJECTION		LAST SAVED				
		DWG SIZE		DRAWING NUMBER		
		B		LCD-1208329		
		SCALE: 1/2		WEIGHT: 3 LBS		
				SHEET 01 OF 01		