

VENDOR: DINA CONSULTING

612 ST SOUTH

NAMPA IDAHO 83651

P/N: LCD-1208329

UOM: EA

2 YEAR WARRANTY

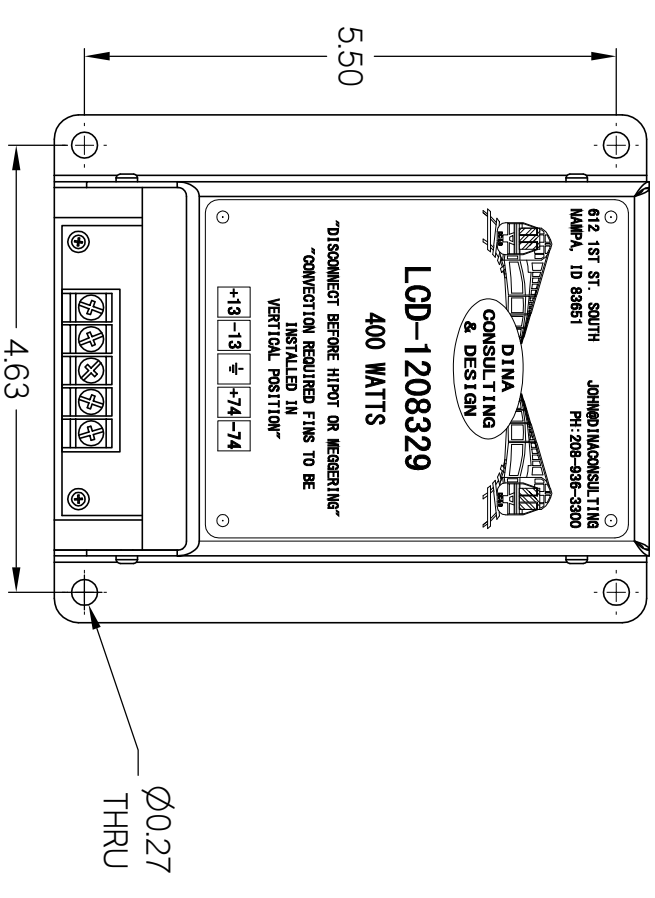
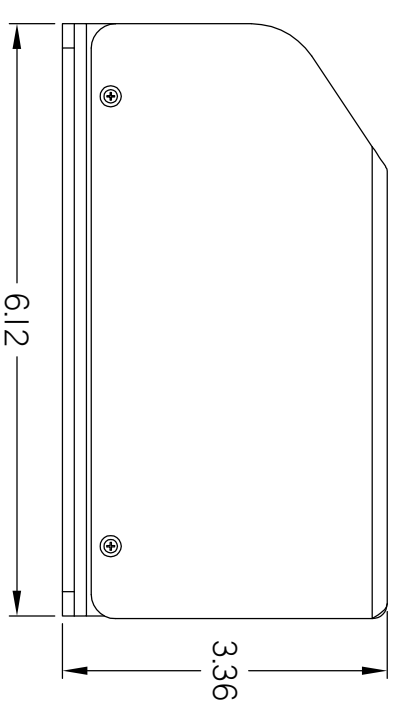
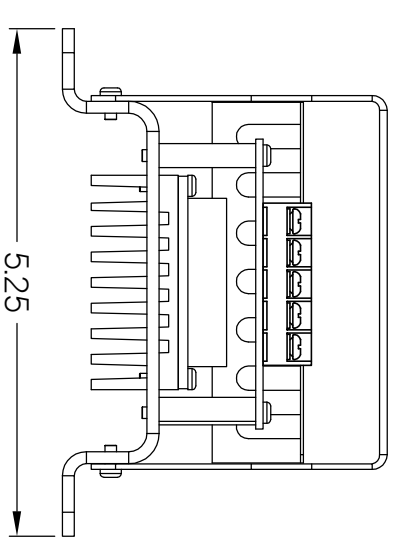
DESIGNED TO EXCEED EMC REQUIREMENTS IEC 60571

CONTACT INFO:

SALES REP: JOHN DINA

PH: 1-208-440-1877

EMAIL: JOHN@DINACONSULTING.COM



INPUT POWER

VOLTAGE RANGE:

UNDER VOLTAGE:

OUTPUT POWER

VOLTAGE:

CURRENT:

EFFICIENCY:

VOLTAGE - ISOLATION:

OVER PROT. SET POINT:

43 VDC - 85 VDC
(OFF AT 30 VDC)
(ON AT 35 VDC)

13.8 VDC

400 W

87.9%

3 KV (3000 V)

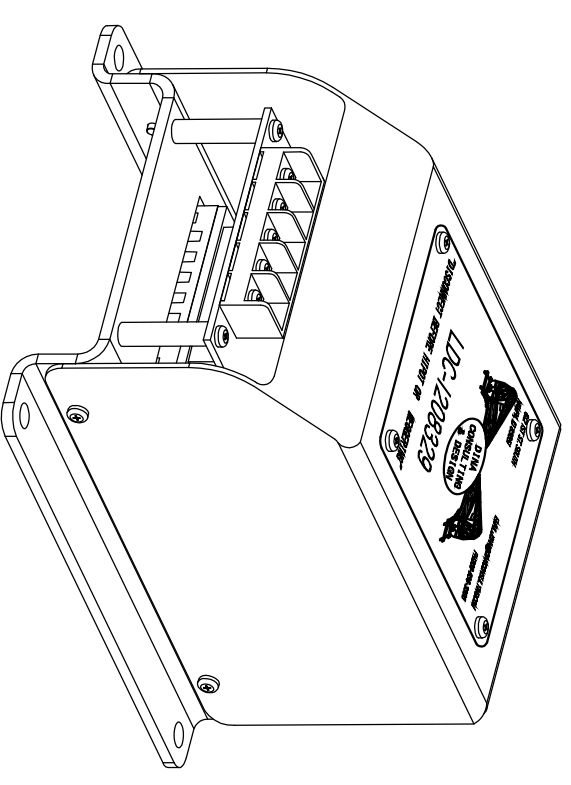
28 VDC

ENVIRONMENT

OPERATIONAL AMBIENT TEMP:

STORAGE TEMP:

-25 C TO +85 C
-30 C TO +100 C



REV	DESCRIPTION	DATE	REVISION HISTORY	REVISED BY	CHECKED BY	RELEASED BY
-	INITIAL RELEASE			J MANGEAC	DCD	J. DINA
		07/12/16				

UNLESS OTHERWISE SPECIFIED, DIMENSIONS ARE IN INCHES. TOLERANCES ARE:

DECIMALS FRACTIONS

X = ±.2 XIX = ±1/4

XX = ±.06 XX = ±.06

XXX = ±.010 XXX = ±.010

ANGLES X = ±1° XX = ±0.5°

DO NOT SCALE DRAWING

THIRD ANGLE PROJECTION

APPROVALS	DRAWN	JOMANGEAC	07/08/16	<p>DC & D DINA CONSULTING & DESIGN</p> <p>DESCRIPTION POWER SUPPLY, DC/DC CONVERTER 74VDC / 13.8VDC, 16 AMP</p> <p>DWG SIZE B DRAWING NUMBER LCD-1208329</p> <p>SCALE: 1/2 WEIGHT: 3 LBS</p>	612 1ST SOUTH NAMPA IDAHO 83651
CHECKED:	DCD	07/12/16			
ENGINEER:	JDINA	07/12/16			
FIRST USED					
MODEL FILE					
DRAFT FILE					
LAST SAVED					