

VENDOR: DINA CONSULTING  
612 ST SOUTH  
NAMPA IDAHO 83651

P/N: LCD-1208328  
UOM: EA

2 YEAR WARRANTY

DESIGNED TO EXCEED EMC REQUIREMENTS IEC 60571

CONTACT INFO:

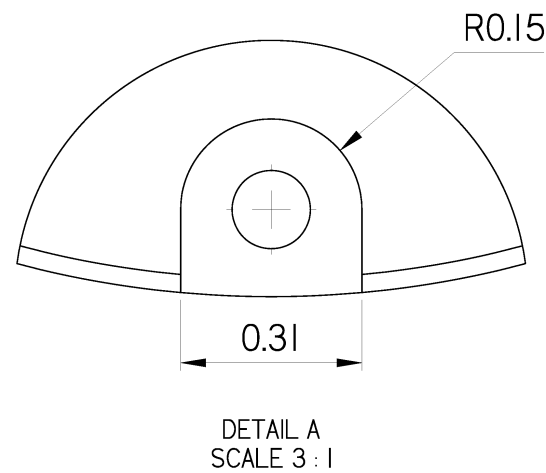
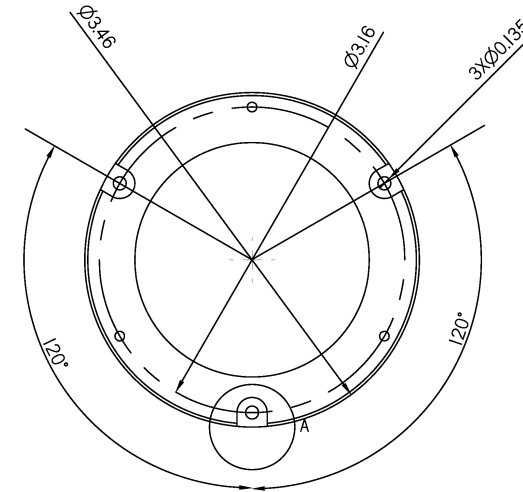
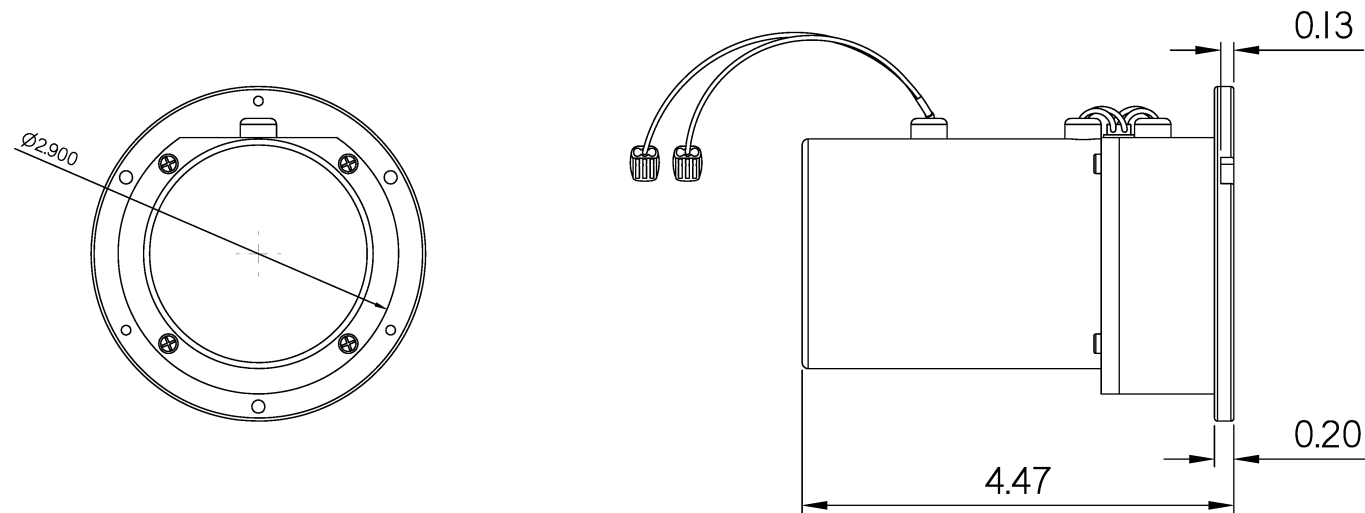
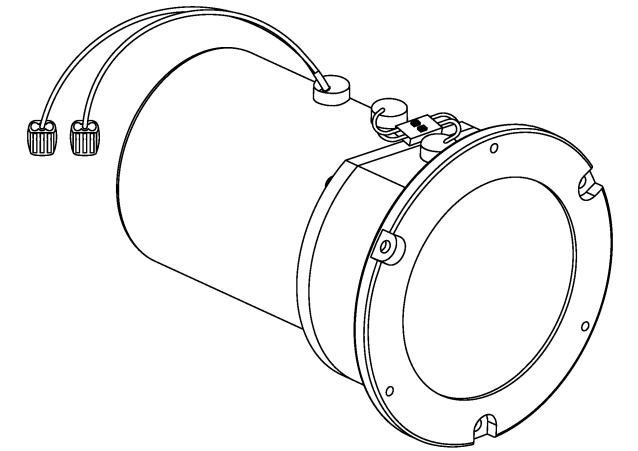
SALES REP: JOHN DINA  
PH: 1-208-440-1877  
EMAIL: JOHN@DINACONSULTING.COM


INPUT POWER

VOLTAGE RANGE: 46VDC - 74VDC  
OR 120VAC

ENVIRONMENT

OPERATIONAL AMBIENT TEMP: -40C TO +85C  
STORAGE TEMP: -50C TO +100C



-	INITIAL RELEASE	08/26/16	J. MANGEAC DCD J. DINA
REV	DESCRIPTION	DATE	REVISED BY CHECKED BY RELEASED BY
REVISION HISTORY			
UNLESS OTHERWISE SPECIFIED, DIMENSIONS ARE IN INCHES. TOLERANCES ARE:		 <b>DC &amp; D</b> DINA CONSULTING & DESIGN 612 1ST SOUTH DINACONSULTING.COM 208-936-3300	
DECIMALS	FRACTIONS		
X = ±.2	X/X = ±1/4	APPROVALS	
XX = ±.06	ANGLES	DRAWN: JOMANGEAC	08/05/16
XXX = ±.010	X = ±1°	CHECKED: DCD	08/26/16
	XX = ±0.5°	ENGINEER: JDINA	07/26/16
DO NOT SCALE DRAWING		FIRST USED	
THIRD ANGLE PROJECTION		MODEL FILE	
		DRAFT FILE	
		LAST SAVED	
		DWG SIZE	DRAWING NUMBER
		B	LCD-1208328
		SCALE: 1/2	WEIGHT: 1.4 LBS
		SHEET	01 OF 01