

VENDOR: DINA CONSULTING
612 ST SOUTH
NAMPA IDAHO 83651

CONTACT INFO:

SALES REP: JOHN DINA
PH: 1-208-440-1877
EMAIL: JOHN@DINACONSULTING.COM

P/N: LCD-1208308
UOM: EA

2 YEAR WARRANTY

DESIGNED TO EXCEED EMC REQUIREMENTS IEC 60571

INPUT POWER

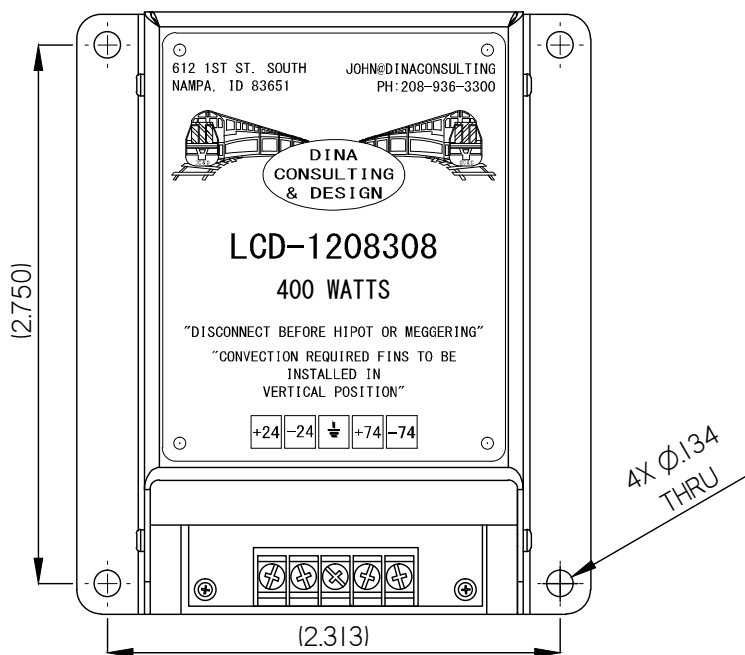
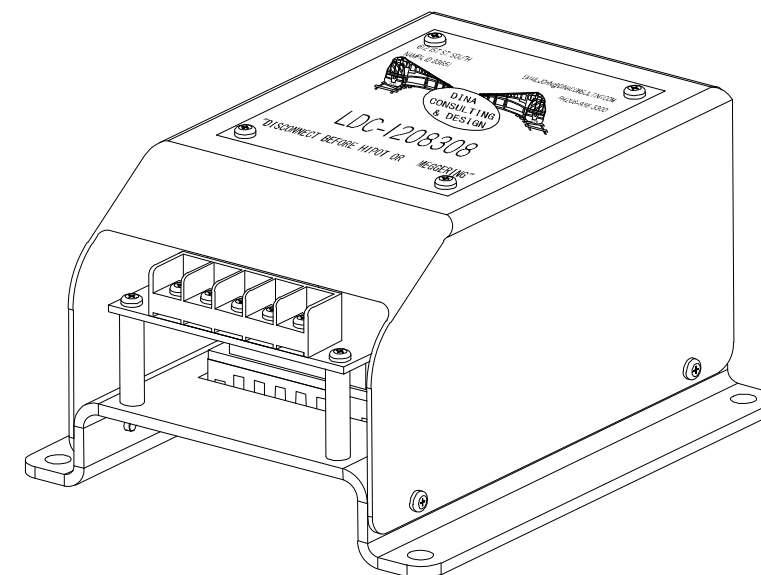
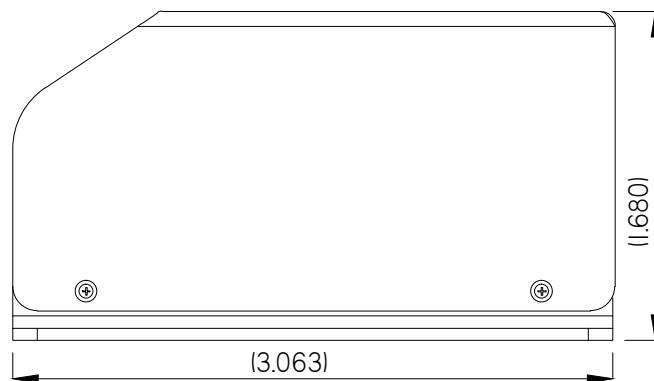
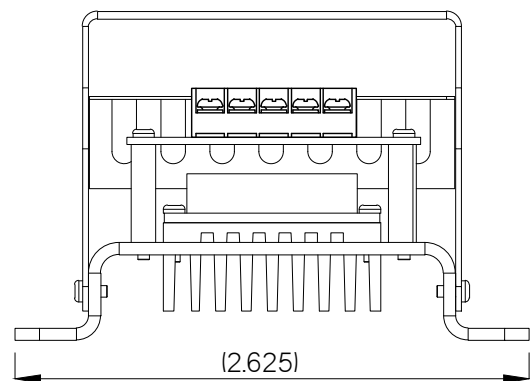
VOLTAGE RANGE: 43 VDC - 85 VDC
UNDER VOLTAGE: (OFF AT 30 VDC)
(ON AT 35 VDC)

OUTPUT POWER

VOLTAGE: 24 VDC
CURRENT: 400 W
EFFICIENCY: 87.9%
VOLTAGE - ISOLATION: 3 KV (3000 V)
OVER PROT. SET POINT: 28 VDC

ENVIRONMENT

OPERATIONAL AMBIENT TEMP: -25 C TO +85 C
STORAGE TEMP: -30 C TO +100 C



-	INITIAL RELEASE	REVISED BY	J. MANGEAC
		CHECKED BY	DCD
		RELEASED BY	J. DINA
REV	DESCRIPTION	DATE	06/23/16
REVISION HISTORY			
UNLESS OTHERWISE SPECIFIED, DIMENSIONS ARE IN INCHES. TOLERANCES ARE:		DC & D DINA CONSULTING & DESIGN 612 1ST SOUTH JDINA1109@YAHOO.COM 208-440-1877	
DECIMALS	FRACTIONS		
X = ±.2	X/X = ±1/4	DESCRIPTION	
.XX = ±.06	ANGLES	POWER SUPPLY, DC/DC CONVERTER 74 / 24VDC, 16 AMP	
XXX = ±0.10	X = ±1° XX = ±0.5°		
DO NOT SCALE DRAWING	FIRST USED	DWG SIZE	DRAWING NUMBER
THIRD ANGLE PROJECTION	MODEL FILE	B	LCD-1208308
	DRAFT FILE	SCALE: 1/2	REV -
	LAST SAVED	WEIGHT: 3 LBS	SHEET 01 OF 01