

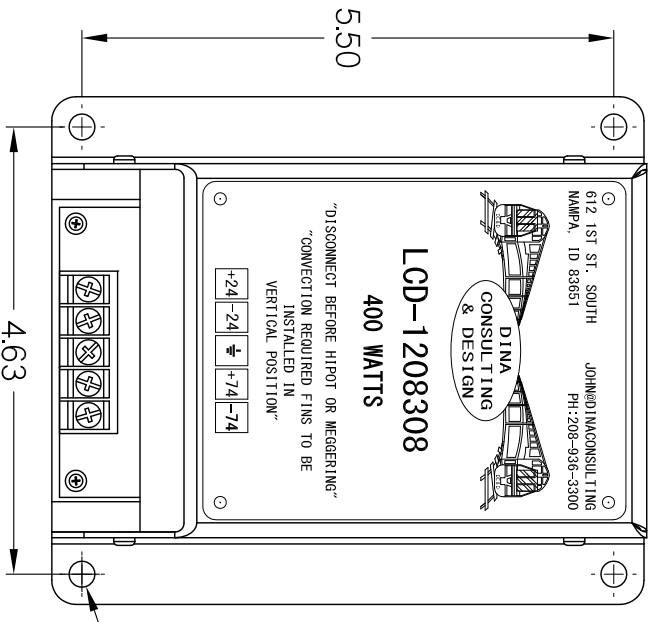
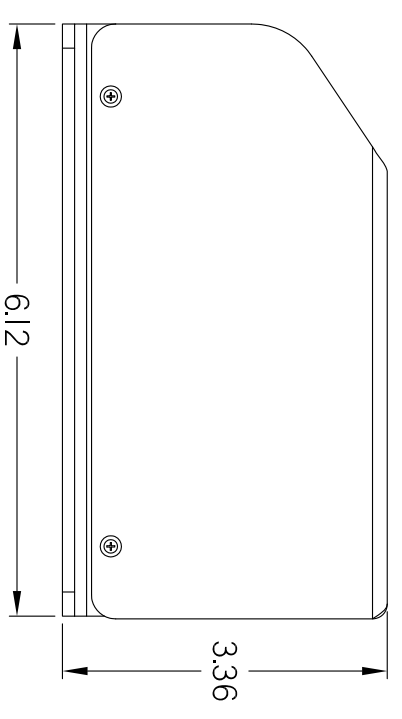
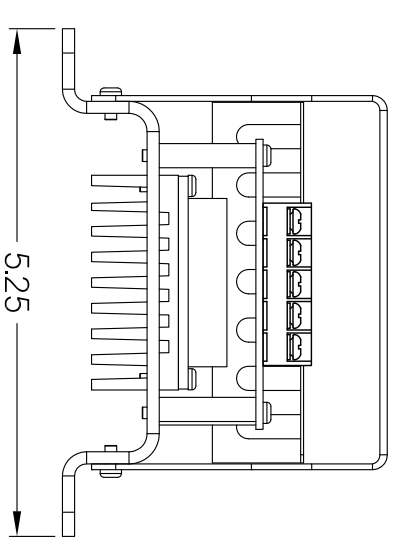
VENDOR: DINA CONSULTING
 612 ST SOUTH
 NAMP A IDAHO 83651

P/N: LCD-1208308
 UOM: EA

2 YEAR WARRANTY

DESIGNED TO EXCEED EMC REQUIREMENTS IEC 60571

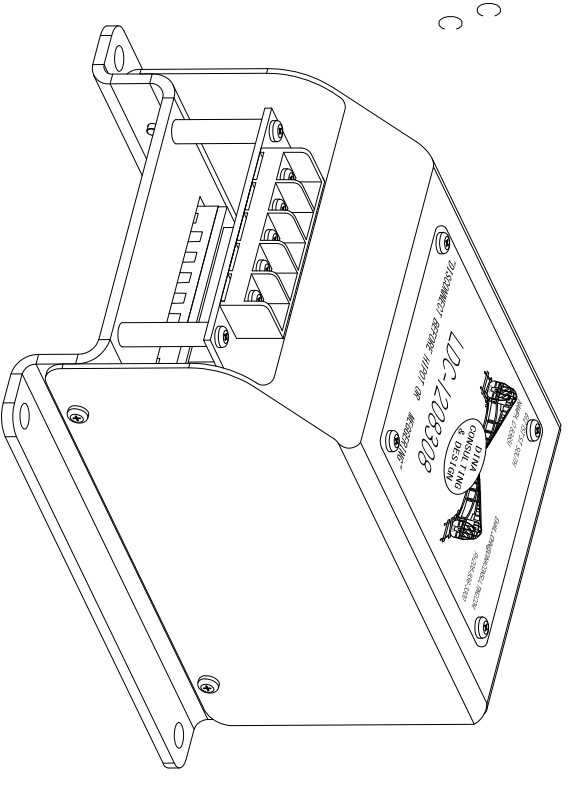
CONTACT INFO:
 SALES REP: JOHN DINA
 PH: 1-208-440-1877
 EMAIL: JOHN@DINACONSULTING.COM



Ø0.27 THRU

INPUT POWER
VOLTAGE RANGE: 43 VDC – 85 VDC
UNDER VOLTAGE: (OFF AT 30 VDC)
 (ON AT 35 VDC)
OUTPUT POWER
VOLTAGE: 24 VDC
CURRENT: 400 W
EFFICIENCY: 87.9%
VOLTAGE – ISOLATION: 3 KV (3000 V)
OVER PROT. SET POINT: 28 VDC

ENVIRONMENT
OPERATIONAL AMBIENT TEMP: -40 C TO +85 C
STORAGE TEMP: -50 C TO +100 C



| REV | DESCRIPTION | DATE | REVISION HISTORY |
|-----|-----------------|----------|------------------------------|
| - | INITIAL RELEASE | 06/23/16 | J. MANGEAC DCD J. DINA |

UNLESS OTHERWISE SPECIFIED, DIMENSIONS ARE IN INCHES. TOLERANCES ARE:

| DECIMALS | FRACTIONS |
|-------------|----------------|
| X = ±.2 | XIX = ±1/4 |
| XX = ±.06 | ANGLES X = ±1° |
| XXX = ±.010 | XX = ±0.5° |

DO NOT SCALE DRAWING

| APPROVALS | |
|------------------|----------|
| DRAWN: JOMANGEAC | 06/20/16 |
| CHECKED: DCD | 06/23/16 |
| ENGINEER: JDINA | 06/23/16 |

DESCRIPTION: **DC&D**
 DINA CONSULTING & DESIGN
 612 1ST SOUTH
 DINACONSULTING.COM
 208-936-3300

| THIRD ANGLE PROJECTION | |
|------------------------|------------|
| MODEL FILE | FIRST USED |
| DRAFT FILE | |
| LAST SAVED | |

DWG SIZE: B
 DRAWING NUMBER: LCD-1208308
 SCALE: 1/2
 WEIGHT: 3 LBS
 SHEET: 01 OF 01