

VENDOR: DINA CONSULTING
 612 ST SOUTH
 NAMPA IDAHO 83651

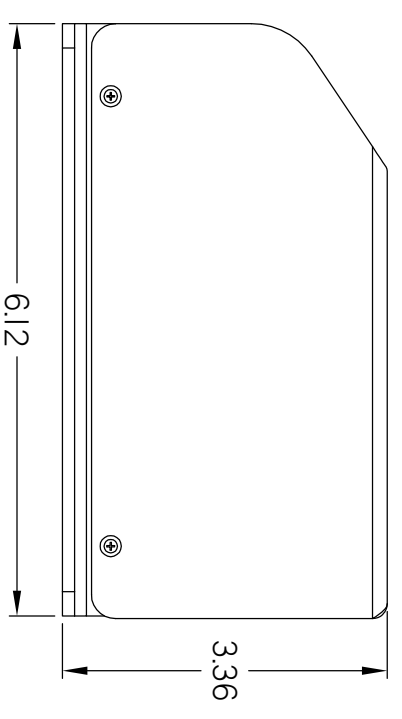
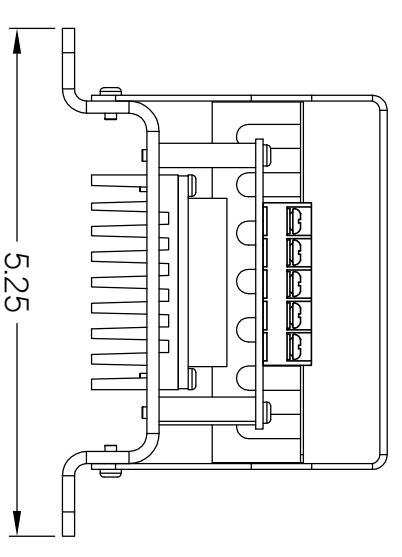
P/N: LCD-1208308
 UOM: EA

2 YEAR WARRANTY

DESIGNED TO EXCEED EMC REQUIREMENTS IEC 60571

CONTACT INFO:

SALES REP: JOHN DINA
 PH: 1-208-440-1877
 EMAIL: JOHN@DINACONSULTING.COM



INPUT POWER

VOLTAGE RANGE: 43 VDC - 85 VDC
 (OFF AT 30 VDC)
 (ON AT 35 VDC)

OUTPUT POWER

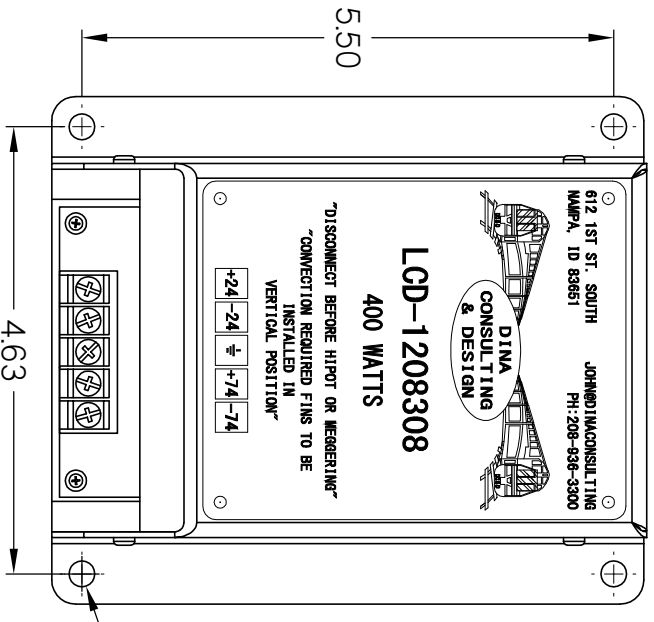
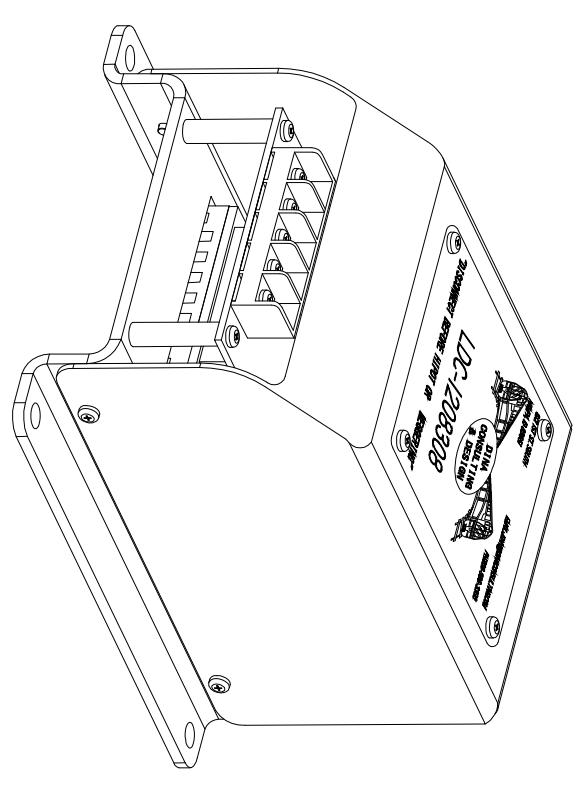
VOLTAGE: 24 VDC
 CURRENT: 400 W

EFFICIENCY: 87.9%

VOLTAGE - ISOLATION: 3 KV (3000 V)
 OVER PROT. SET POINT: 28 VDC

ENVIRONMENT

OPERATIONAL AMBIENT TEMP: -25 C TO +85 C
 STORAGE TEMP: -30 C TO +100 C



Ø0.27
 THRU

REV	DESCRIPTION	DATE	REVISOR	CHECKED BY	RELEASED BY
-	INITIAL RELEASE		J MANGEAC	DCD	J. DINA
		06/23/16			

REVISION HISTORY

UNLESS OTHERWISE SPECIFIED, DIMENSIONS ARE IN INCHES. TOLERANCES ARE:

DECIMALS: X = ±.2
 XX = ±.06
 XXX = ±.010

FRACTIONS: XIX = ±1/4
 ANGLES: X = ±1°
 XX = ±0.5°

DO NOT SCALE DRAWING

APPROVALS		DATE
DRAWN	JOMANGEAC	06/20/16
CHECKED	DCD	06/23/16
ENGINEER	JDINA	06/23/16
FIRST USED		

DC & D
 DINA CONSULTING & DESIGN

612 1ST SOUTH
 NAMPA IDAHO
 83651

DESCRIPTION
POWER SUPPLY, DC/DC CONVERTER
 74 / 24VDC, 16 AMP

THIRD ANGLE PROJECTION	MODEL FILE	DWG SIZE	DRAWING NUMBER	REV
	LAST SAVED	B	LCD-1208308	-