

VENDOR: DINA CONSULTING
 612 ST SOUTH
 NAMPA IDAHO 83651

P/N: LCD-1208229
 UOM: EA
 2 YEAR WARRANTY

DESIGNED TO EXCEED EMC REQUIREMENTS IEC 60571

CONTACT INFO:

SALES REP: JOHN DINA
 PH: 1-208-440-1877
 EMAIL: JOHN@DINACONSULTING.COM

INPUT POWER

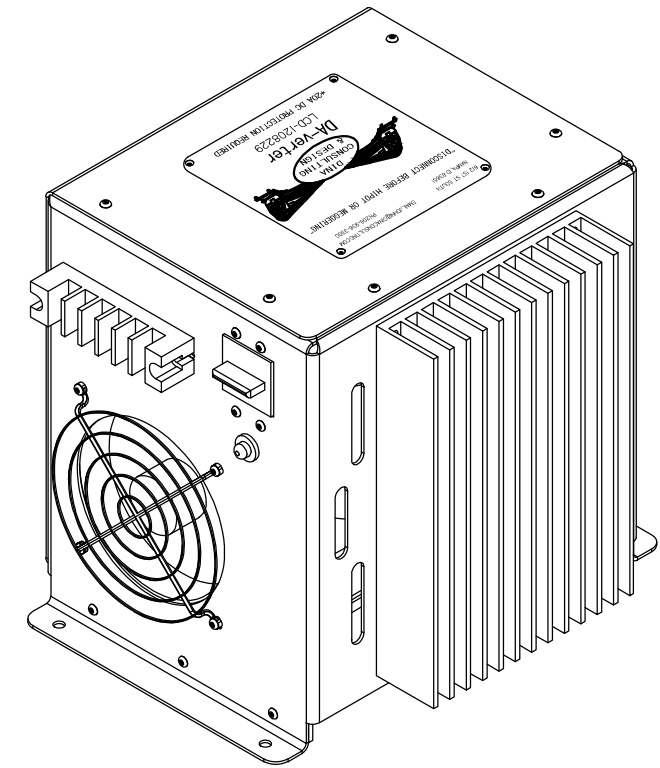
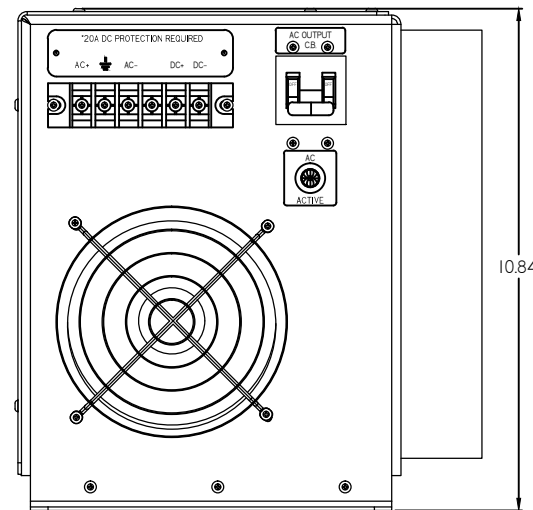
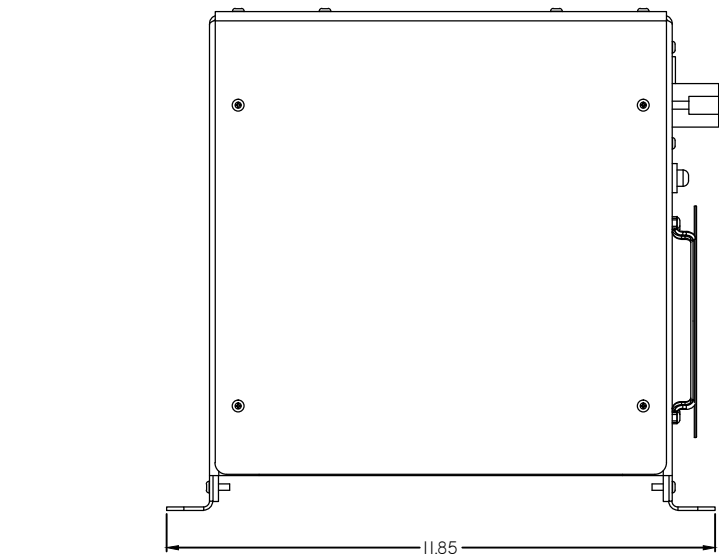
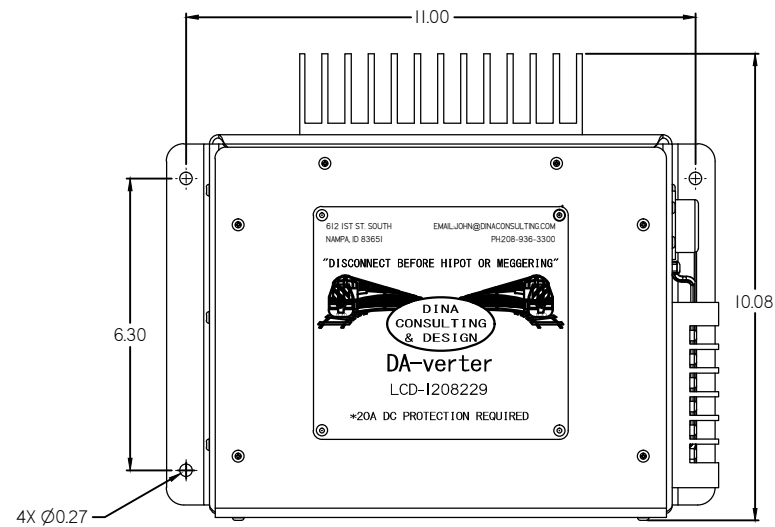
VOLTAGE RANGE: 56VDC – 90VDC
 UNDER VOLTAGE: (OFF AT 56VDC)

OUTPUT POWER


VOLTAGE: 115VAC
 CURRENT: 10 AMPS
 EFFICIENCY: 87.9%
 VOLTAGE – ISOLATION: 1.2 kVA (1200V)
 OVER PROT. SET POINT: 130VAC

ENVIRONMENT

OPERATIONAL AMBIENT TEMP: -40C TO +85C
 STORAGE TEMP: -50C TO +100C



REV	INITIAL RELEASE;	DATE	JMANGEAC DCD JDINA
-		06/28/2016	
		DATE	REVISIED BY CHECKED BY RELEASED BY

UNLESS OTHERWISE SPECIFIED, DIMENSIONS ARE IN INCHES. TOLERANCES ARE: DECIMALS FRACTIONS X = ±.2 XX = ±.06 XXX = ±.010 ANGLES X = ±1° XX = ±0.5° DO NOT SCALE DRAWING THIRD ANGLE PROJECTION		APPROVALS DRAWN: JMANGEAC CHECKED: DCD ENG APPR: JDINA	DATES: 06/20/2016 06/28/2016 06/28/2016	 DC & D DINA CONSULTING & DESIGN 612 1ST SOUTH DINACONSULTING.COM 208-936-3300	
DESCRIPTION DC TO AC INVERTER 74 VDC - 115 VAC OUTPUT, 10A				DWG SIZE: D DRAWING NUMBER: LCD-1208229	
SCALE: 1:2				WEIGHT: 44.8 LBS	
				REV -	
				SHEET 1 OF 1	