

VENDOR: DINA CONSULTING
612 ST SOUTH
NAMPWA IDAHO 83651
PN: LCD-1208229
UOM: EA
2 YEAR WARRANTY

CONTACT INFO:
SALES REP: JOHN DINA
PH: 1-208-440-1877
EMAIL: JOHN@DINACONSULTING.COM

DESIGNED TO EXCEED EMC REQUIREMENTS IEC 60571

INPUT POWER

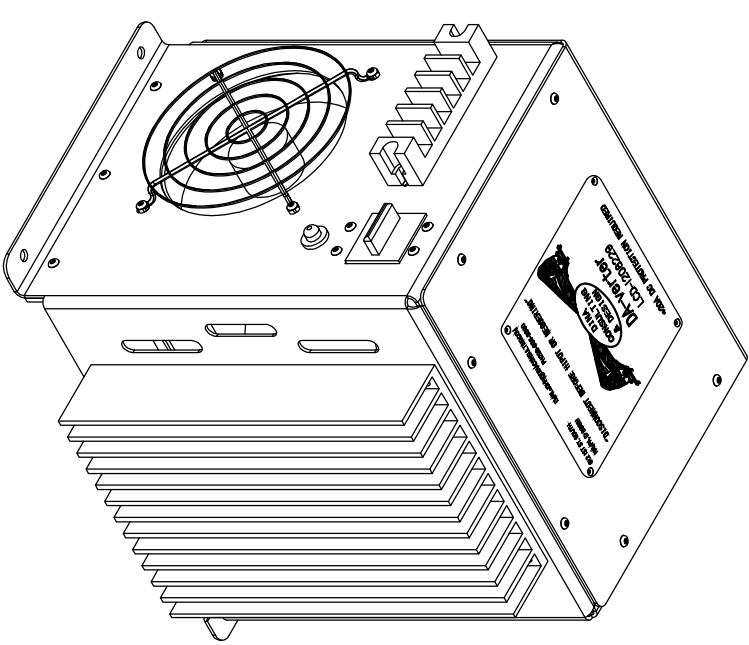
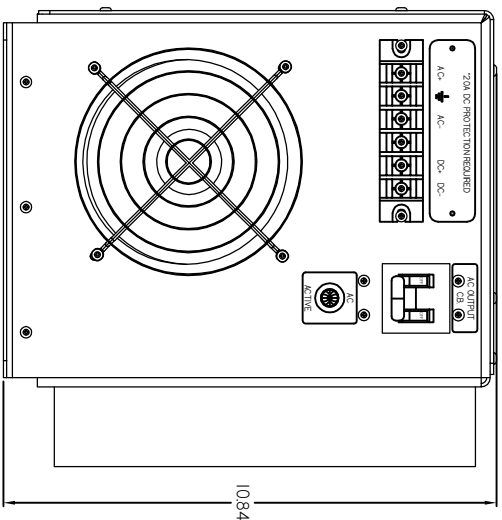
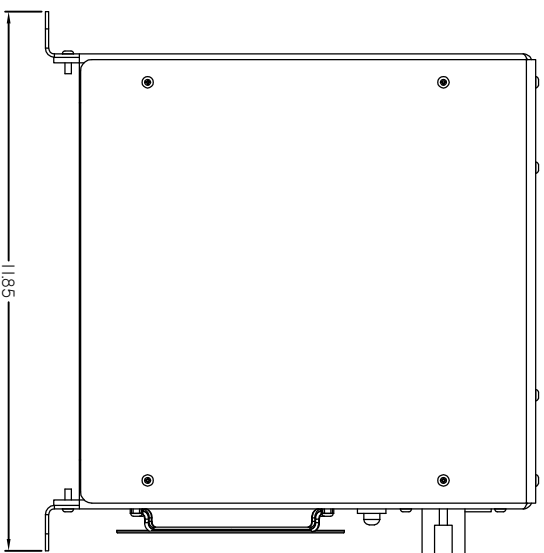
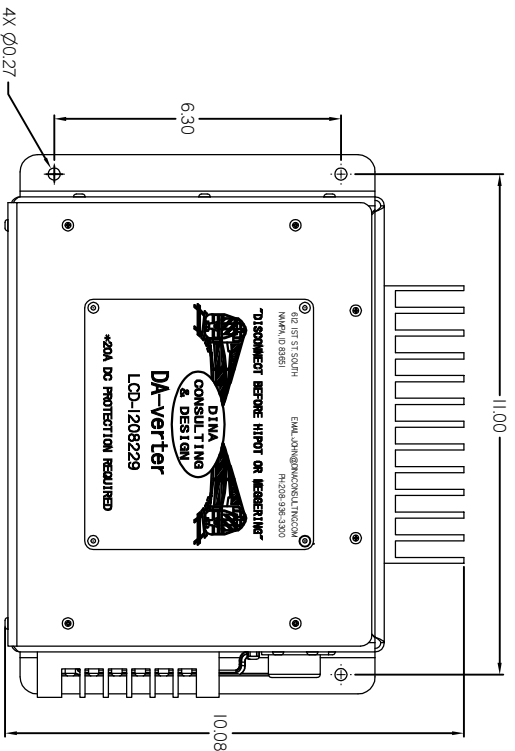
VOLTAGE RANGE: 56VDC - 90VDC
UNDER VOLTAGE: (OFF AT 56VDC)

OUTPUT POWER

VOLTAGE: 115VAC
CURRENT: 10 AMPS
EFFICIENCY: 87.9%
VOLTAGE - ISOLATION: 1.2 kVA (1200V)
OVER PROT. SET POINT: 130VAC

ENVIRONMENT

OPERATIONAL AMBIENT TEMP: -25C TO +85C
STORAGE TEMP: -30C TO +100C



REV	INITIAL RELEASE:	REVISED BY CHECKED BY RELEASED BY	DATE
-		JMANGEAC DCD JDINA	06/28/2016

REVISION HISTORY

UNLESS OTHERWISE SPECIFIED, DIMENSIONS ARE IN INCHES. TOLERANCES ARE:	APPROVALS	DATES	DESCRIPTION	SCALE	WEIGHT	SHEET
DECIMALS	JMANGEAC	06/20/2016	DC TO AC INVERTER 74 VDC - 115 VAC OUTPUT	1:2	44.8 LBS	1 OF 1
FRACTIONS	DCD	06/28/2016				
ANGLES	JDINA	06/28/2016				
DO NOT SCALE DRAWING						
THIRD ANGLE PROJECTION						

DC & D
DINA CONSULTING & DESIGN
 612 1ST SOUTH
 NAMPWA IDAHO
 83651

LCD-1208229

REV -