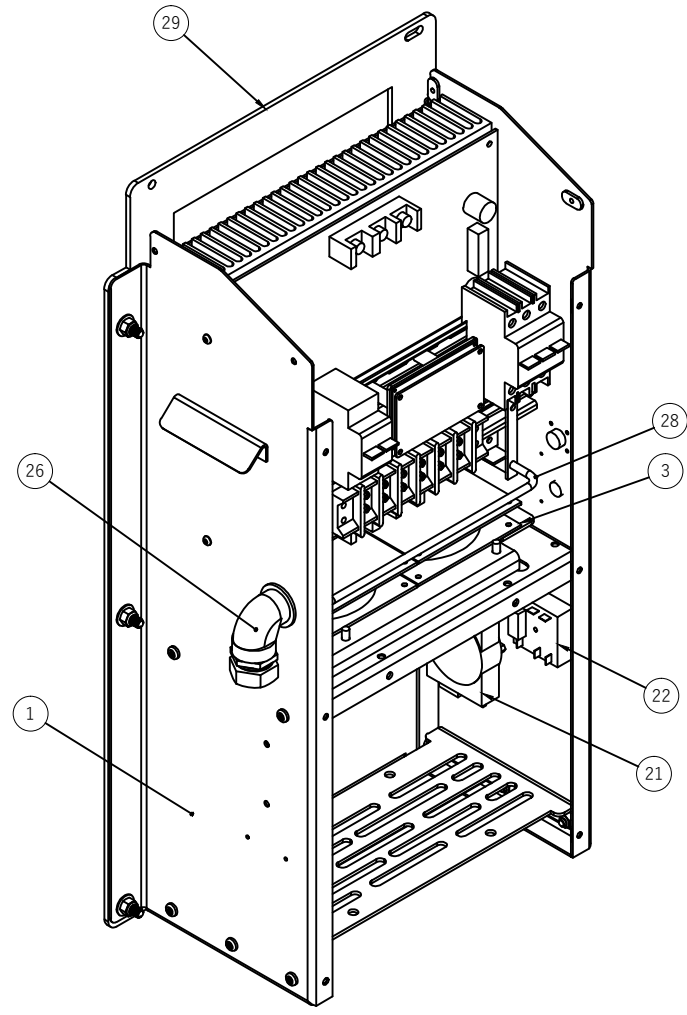
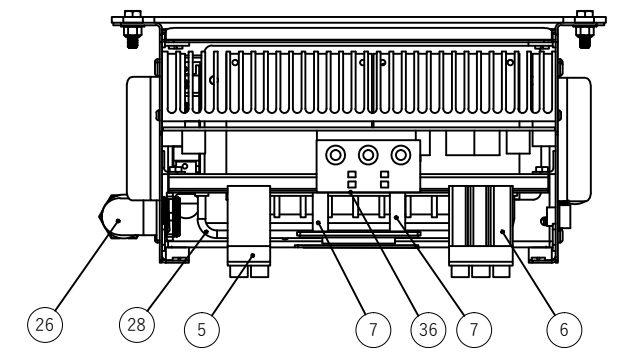


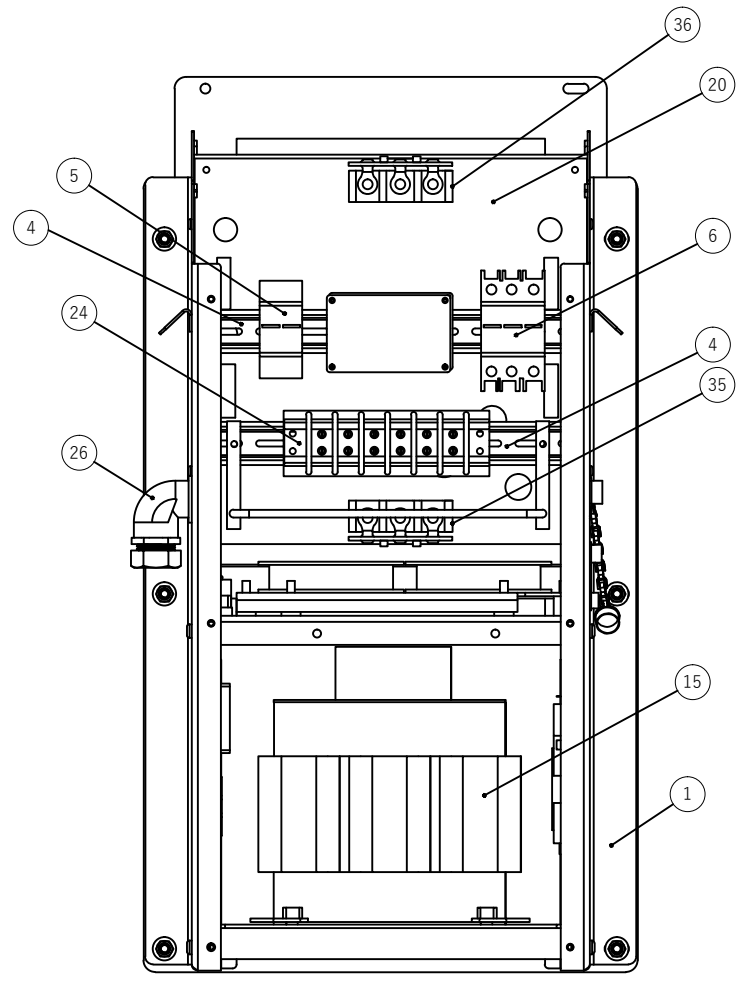
ISO VIEW



TOP VIEW

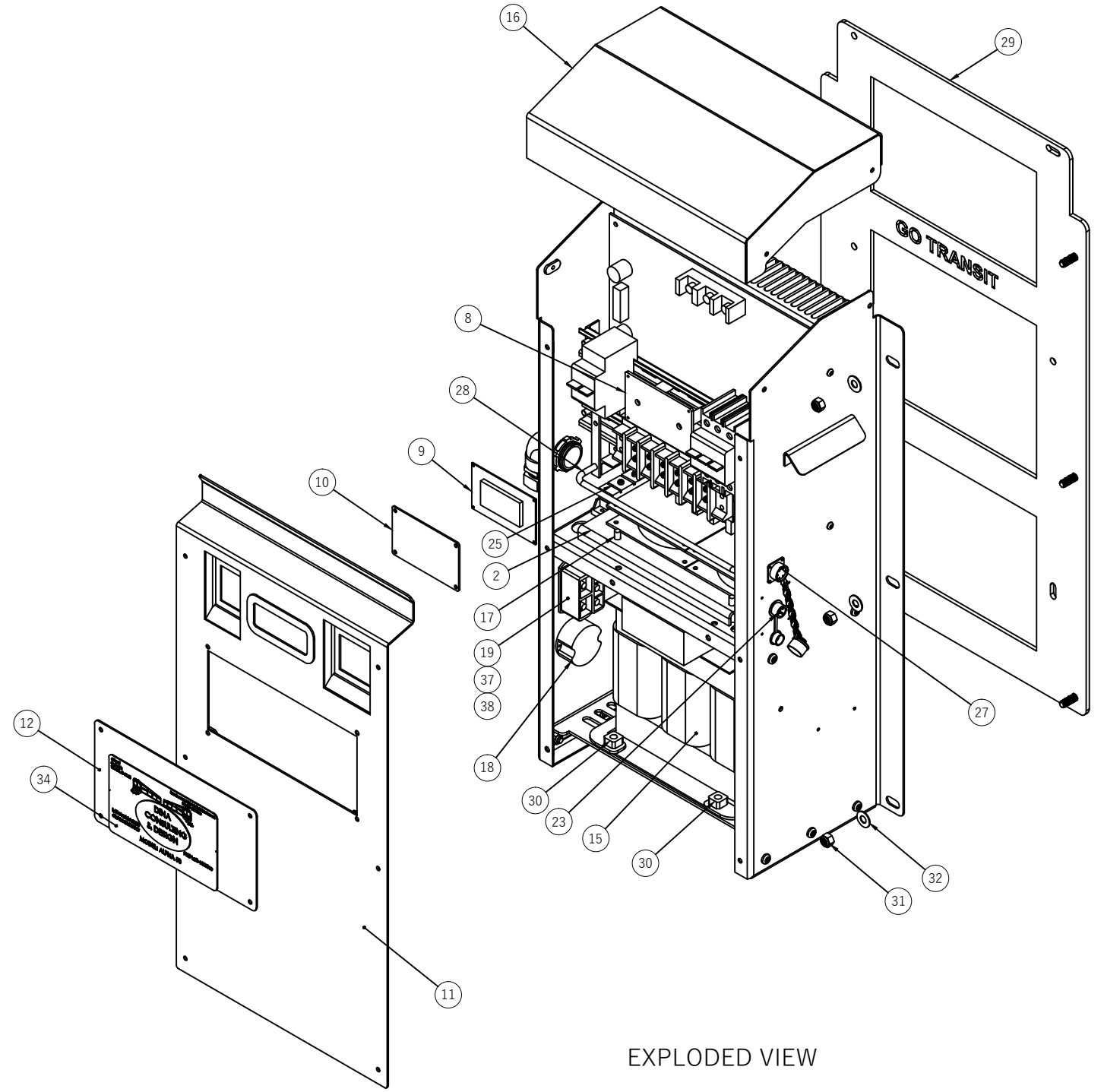


FRONT VIEW



FRONT COVER AND TRANSFORMATOR REMOVED FOR CLARITY

EXPLODED VIEW



| | | | |
|---|--------------------------------|--|--|
| | | 612 1ST SOUTH 208-440-1877 JOHN@DINACONSULTING.COM | |
| DESCRIPTION: LAYOVER BATTERY CHARGER ASSEMBLY, NiCd, TEMP. COMPENSATION, 50AMP | | | |
| DWG SIZE: D | DRAWING NUMBER: LCD-1205100 | REV A | |
| SCALE: 1:3 | WEIGHT: 105 | SHEET: 02 OF 02 | |