

VENDOR: DINA CONSULTING
612 ST SOUTH
NAMPA IDAHO 83651

P/N: LCD-1205100
UOM: EA
2 YEAR WARRANTY

DESIGNED TO EXCEED EMC
REQUIREMENTS IEC 60571

CONTACT INFO:

SALES REP: JOHN DINA
PH: 1-208-440-1877
EMAIL: JOHN@DINACONSULTING.COM

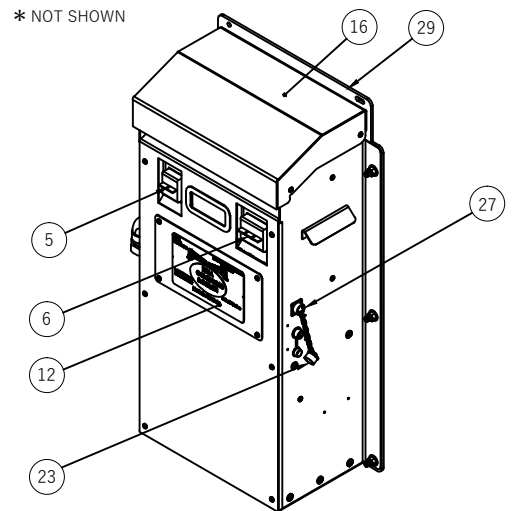
POWER SUPPLY / BATTERY CHARGER
VOLTAGE INPUT RANGE: 480/575 VAC, 3 PH
CURRENT MAX: 50 AMPS
VOLTAGE OUTPUT: 72-77 VDC
VOLTAGE RIPPLE: ≤ 5%
CURRENT RIPPLE: ≤ 5%
OPERATIONAL AMBIENT TEMP. -40 C TO +85 C
STORAGE TEMP. -50 C TO +100 C
WEIGHT: 105 LBS

PROTECTION:
CONSTANT CURRENT UNTIL TARGET VOLTAGE
REACHED.
CONSTANT VOLTAGE AFTER TARGET VOLTAGE
REACHED.
REVERSE PHASE DETECT.
LOSS OF PHASE DETECT.
POWER LIMITED TO 3500 WATTS
*OPTION- NO CHARGE SONALERT

LED USER DISPLAY READOUT
-FIRMWARE LEVEL AND APPLICATION
-OUTPUT CURRENT
-OUTPUT VOLTAGE
-CORE TEMP.
-LAYOVER OFF
-PHASE ERROR
-TEMP ERROR
-OVERCURRENT

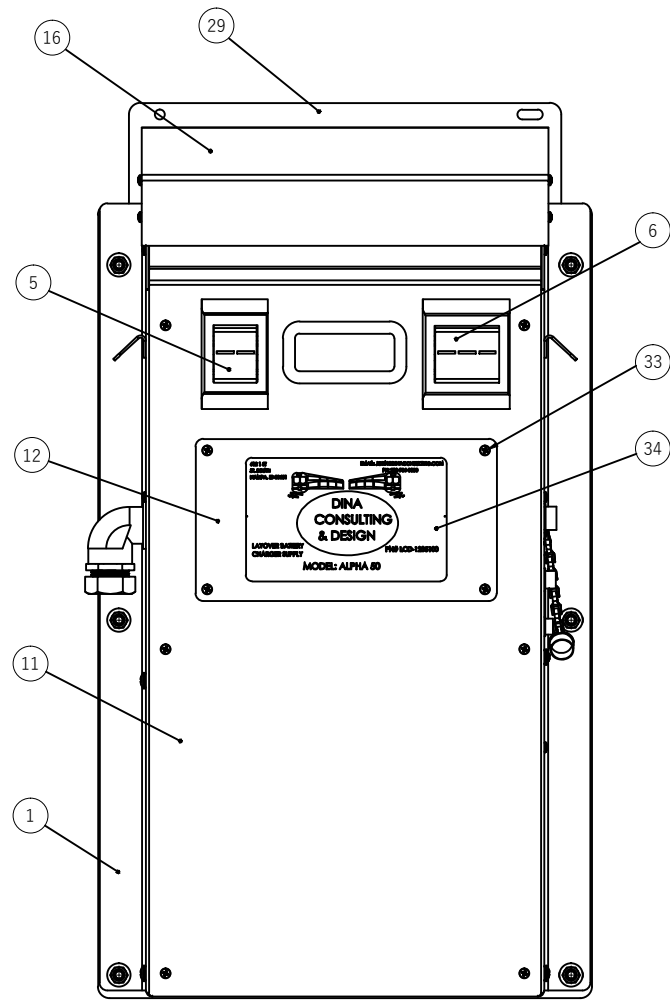
ITEM NO.	PART NUMBER	DESCRIPTION	QTY.
1	LCD-2012180	FRAME ASSEMBLY	1
2	LCD-2012181	BASE, FAN SUPPORT	1
3	LCD-2012187	FAN	2
4	LCD-2012188	BAR, C/B SUPPORT & T.B. MOUNTING	2
5	LCD-2012189	CIRCUIT BREAKER 2 POLE	1
6	LCD-2012191	CIRCUIT BREAKER 3 POLE	1
7	LCD-2012195	ROUND BAR DISPLAY MOUNT	2
8	LCD-2012194	PLATE MOUNT, DISPLAY	1
9	LCD-2012214	LCD SCREEN	1
10	LCD-2012211	PLEXI GLASS, LCD PROTECTOR	1
11	LCD-2012210	FRONT COVER ASSY	1
12	LCD-2012197	PLATE, TERMINAL BOARD ACCESS	1
13	LCD-2012217	COVER BOTTOM, REAR	1
14	LCD-2012216	COVER TOP, REAR	1
15	LCD-2012196	ISOATION, AUTO-TRANSFORMER	1
16	LCD-2012220	COVER ASSY, TOP	1
17	LCD-2012186	ISOLATOR, FAN MOUNT	4
18	LCD-2012201	POWER SUPPLY, AC 110-240 V	1
19	LCD-2012202	BRIDGE RECTIFIER, 3 PHASE	1
20	LCD-2012185	PCB HEATSINK ASSEMBLY	1
21	LCD-2012204	MODULE, COMMUNICATION S 3200	1
22	LCD-2012205	MONITORING RELAY, INPUT PROTECTION	1
23	LCD-2012207	RECEPT., OVER TEMP SWITCH	1
24	LCD-2012208	TERMINAL BOARD, COSTOMER WIRING	1
25	LCD-2012209	REVERSE POLARITY DIODE, 100A	1
26	LCD-2012221	CONNECTOR, 3/4 " 90 DEG	1
27	LCD-2012260	RECEPT., VOLTAGE COMPENSATION	1
28	LCD-2012218	BAR SUPPORT, COSTOMER WIRING	1
29	LCD-2012270	MOUNT BASE ASSY	1
30	LCD-2012250	BRACKET ASSY, TRANSFORMER MOUNT	2
31	LCD-2012229	NUT, 5/16-18	6
32	LCD-2012231	WASHER 5/16	6
33	LCD-2012246	SCREW 8-32 X 1/2	27
34	LCD-2012142	NAMEPLATE KIT, B/C 50A	1
35	LCD-1206262	OUTPUT, PROTECTION 74VDC	1
36	LCD-1206263	INPUT, PROTECTION 360VDC	1
37	LCD-2012166	MOV PROTECTION DC OUTPUT	1
38	LCD-2012167	MOV PROTECTION AC INPUT	1
* 39	LCD-2012158	BATT. CHR.G, OVER TEMP. SENSOR	1
* 40	LCD-2012159	BATT. CHR.G, TEMP. COMP. ASSY.	1

* NOT SHOWN

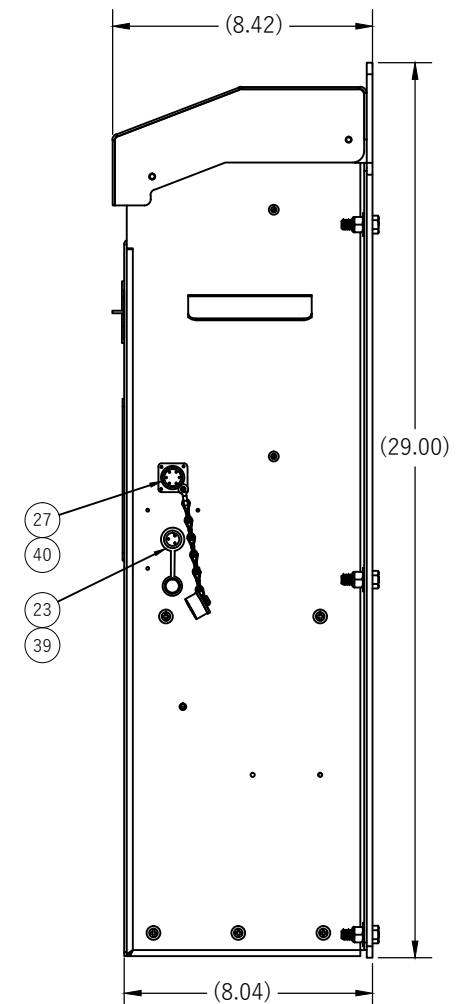


REV	DESCRIPTION	DATE	REVISION HISTORY
A	- UPDATED DRAWING	9/26/2019	PGINA JOMANGEAC JDINA
-	- INITIAL RELEASE	10/28/2014	PGINA JOMANGEAC JDINA
REV		DATE	REVISIED BY CHECKED BY RELEASED BY

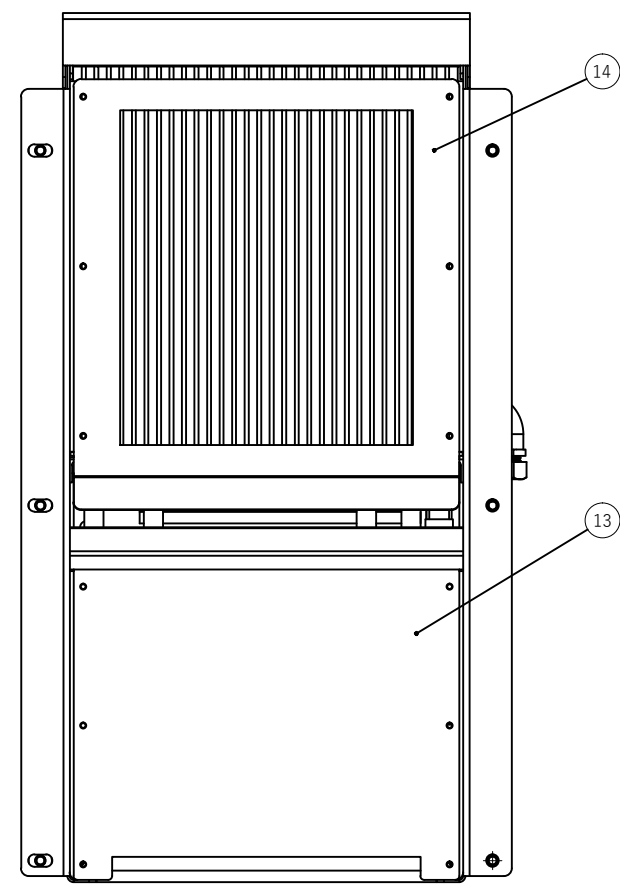
UNLESS OTHERWISE SPECIFIED DIMENSIONS ARE IN INCHES. TOLERANCES ARE:		APPROVALS		DATES	
DECIMALS	FRACTIONS	DRWN	PGINA	10/24/2014	
X = +2	XX = 1/16	CHECKED	JOMANGEAC	10/24/2014	
XX = +0.06	ANGLES	ENGINEER APPR.	JDINA	10/28/2014	
XXX = +0.10	X = +1°	FIRST USED			
	XX = +0.5°	DO NOT SCALE DRAWING			
		THIRD ANGLE PROJECTION			
					612 1ST SOUTH 208-936-3300 DINACONSULTING.COM
DESCRIPTION: LAYOVER BATTERY CHARGER ASSEMBLY, NiCd, TEMP. COMPENSATION, 50AMP			DWG SIZE: D		DRAWING NUMBER: LCD-1205100
SCALE: 1:3			WEIGHT: 105 LBS		REV A
					SHEET: 01 OF 02



FRONT VIEW



RIGHT SIDE VIEW



GO TRANSIT ADAPTOR ASSY
REMOVED FOR CLARITY