

CONTACT INFO:

SALES REP: JOHN DINA
 PH: 1-208-440-1877
 EMAIL: JOHN@DINACONSULTING.COM

VENDOR: DINA CONSULTING

612 ST SOUTH
 NAMPA IDAHO 83651
 P/N: LCD-1204130
 UOM: EA

DWG NO. **LCD-1204130** SH 01 REV -

ENVIRONMENTAL

Operational Ambient Temp: -40C to +85C
 Storage Temp: -50C to +100C

INPUT POWER

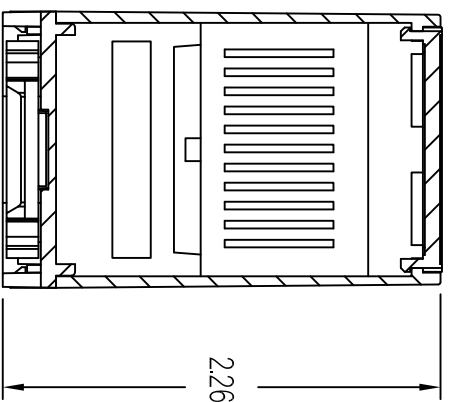
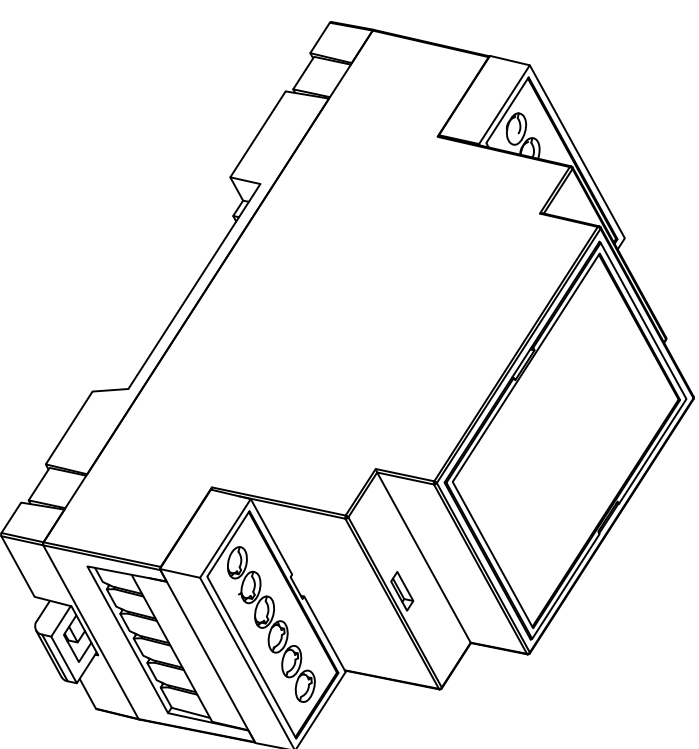
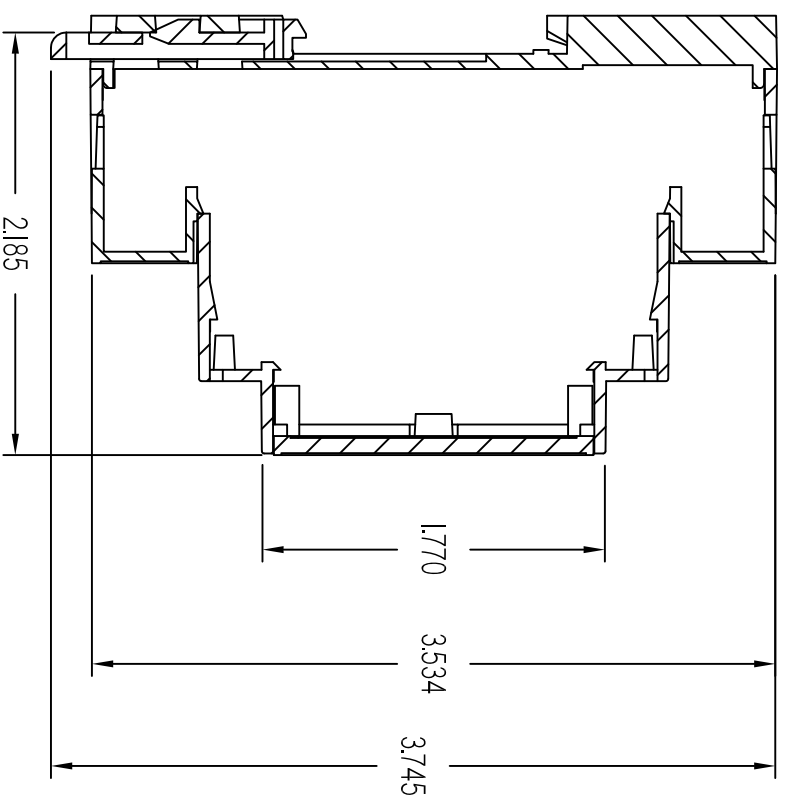
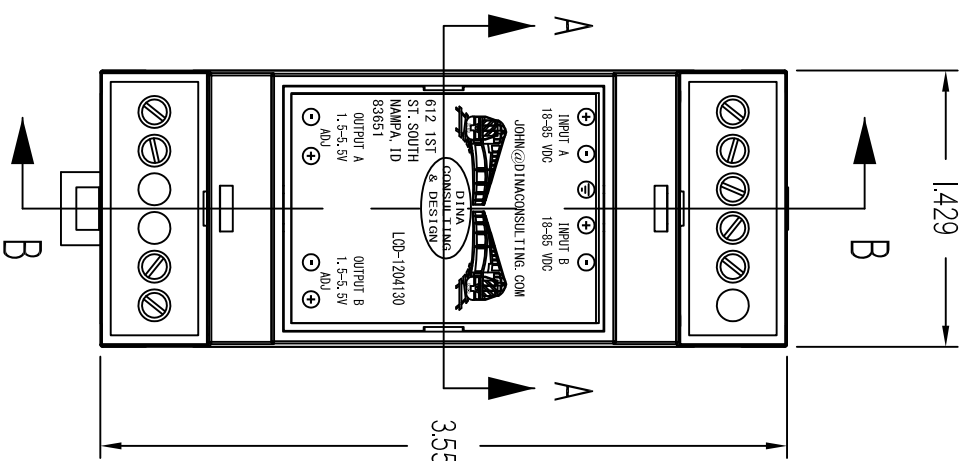
Voltage Range: 43 VDC - 85 VDC
 Under Voltage: 10FF at 36 VDC)
 10N at 42 VDC)

OUTPUT POWER

Voltage Range: 1.2 VDC - 5.5 VDC
 Current Draw: 50 mA at 74 VDC
 Efficiency: 87.9%

DESIGNED TO EXCEED
 EMC REQUIREMENTS IEC 60571

2 YEAR WARRANTY



SECTION B-B

SECTION A-A

REV	DESCRIPTION	DATE	RELEASED BY
-	INITIAL RELEASE	01/21/14	J. MANGEAC DCD J. DINA

REVISION HISTORY

UNLESS OTHERWISE SPECIFIED, DIMENSIONS ARE IN INCHES. TOLERANCES ARE:			
DECIMALS	FRACTIONS	ANGLES	APPROVALS
X = ±.2	X/4 = ±1/4	X = ±1°	DRAWN: JOMANGEAC
XX = ±.06	XX = ±1/8	XX = ±0.5°	CHECKED: DCD
XXX = ±.010	XXX = ±1/16		ENGINEER: JDINA
			FIRST USED: -
			MODEL FILE:
			DRAFT FILE:
			LAST SAVED:

DC & D
 DINA CONSULTING & DESIGN
 612 1ST SOUTH
 DINACONSULTING.COM
 208-936-3300

DESCRIPTION
 DUAL VOLTAGE SUPPLY
 1.2 - 5.5V, 50mA

DWG SIZE: **B**
 SCALE: 1:1
 WEIGHT: 0.30LBS
 SHEET: 01 OF 01

