

**CONTACT INFO:**

SALES REP: JOHN DINA  
 PH: 1-208-440-1877  
 EMAIL: JOHN@DINACONSULTING.COM

**VENDOR: DINA CONSULTING**

612 ST SOUTH  
 NAMPA IDAHO 83651  
 P/N: LCD-1204130  
 UOM: EA

DWG NO. **LCD-1204130** SH 01 REV -

ENVIRONMENTAL

Operational Ambient Temp: -25C to +85C  
 Storage Temp: -30C to +100C

INPUT POWER

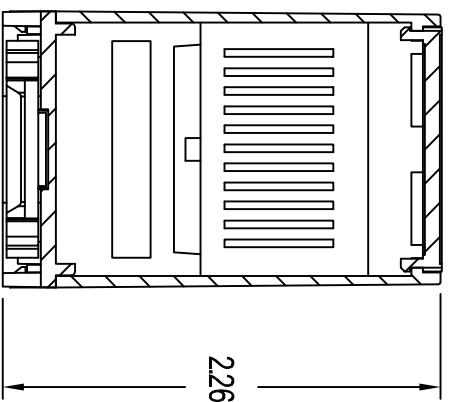
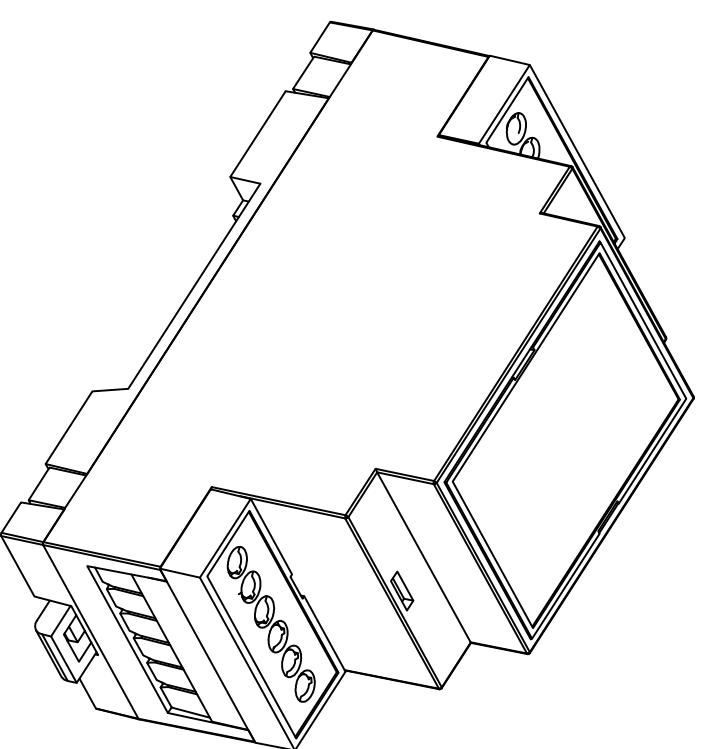
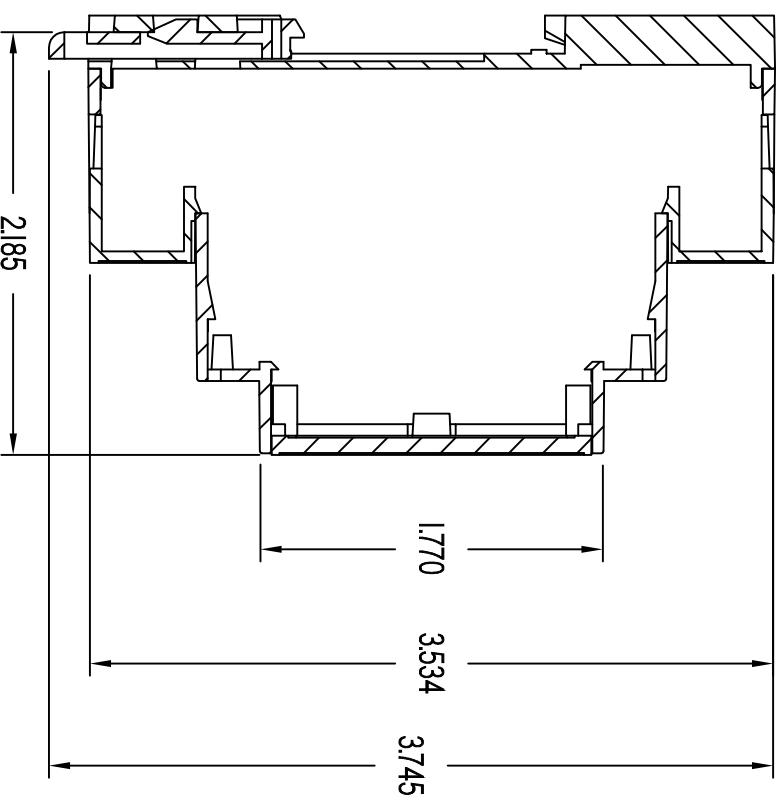
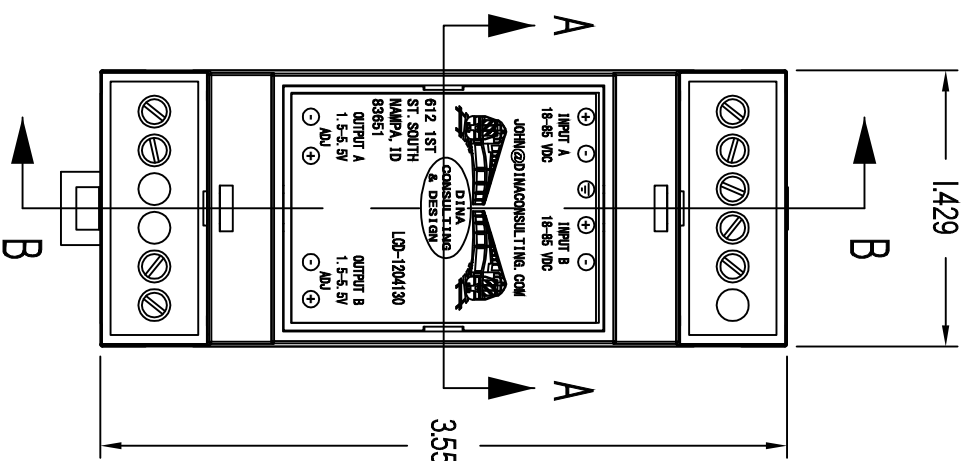
Voltage Range: 43 VDC - 85 VDC  
 Under Voltage : 10FF at 36 VDC)  
 (ON at 42 VDC)

OUTPUT POWER

Voltage Range: 1.2 VDC - 5.5 VDC  
 Current Draw: 50 mA at 74 VDC  
 Efficiency: 87.9%

DESIGNED TO EXCEED  
 EMC REQUIREMENTS IEC 60571

2 YEAR WARRANTY



SECTION B-B

REV	DESCRIPTION	DATE	REVISOR
-	INITIAL RELEASE	01/21/14	J MANGEAC DCD J. DINA

UNLESS OTHERWISE SPECIFIED, DIMENSIONS ARE IN INCHES. TOLERANCES ARE:		APPROVALS	
DECIMALS	FRACTIONS	DRAWN	JOMANGEAC
X = ±2	XX = ±1/4	CHECKED	DCD
XX = ±06	ANGLES	ENGINEER	JDINA
XXX = ±010	X = ±1°	FIRST USED	-
	XX = ±0.5°	MODEL FILE	
		DRAFT FILE	
		LAST SAVED	

REVISION HISTORY		DESCRIPTION	
DC & D		DINA CONSULTING & DESIGN	
DUAL VOLTAGE SUPPLY		612 1ST SOUTH NAMPA IDAHO 83651	
1.2 - 5.5V, 50mA			
DWG SIZE	B	LCD-1204130	REV -
SCALE: 1:1	WEIGHT: 0.30LBS	SHEET 01	OF 01