

VENDOR: DINA CONSULTING
 612 ST SOUTH
 NAMPA IDAHO 83651

P/N: LCD-1202331
 UOM: EA

DESIGNED TO EXCEED EMC REQUIREMENTS IEC 60571

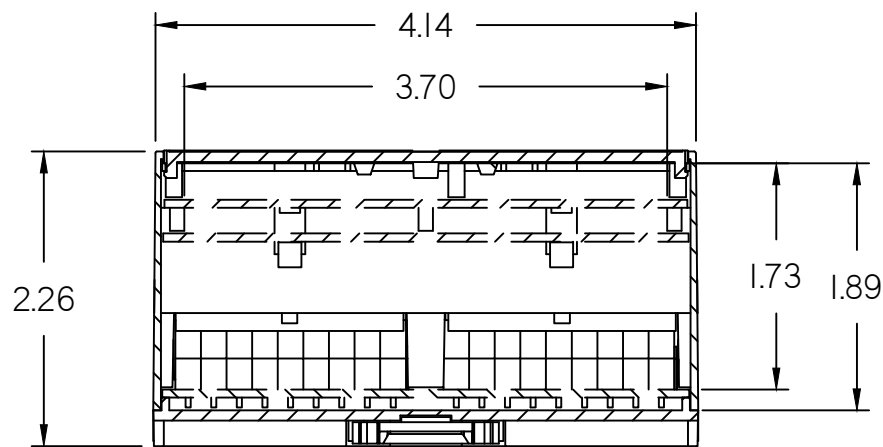
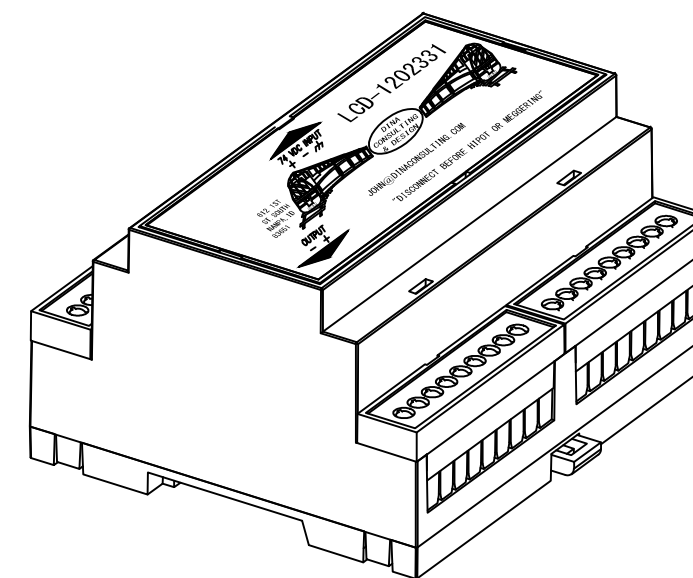
2 YEAR WARRANTY

SALES REP: JOHN DINA
 PH: 1-208-440-1877
 EMAIL: JOHN@DINACONSULTING.COM

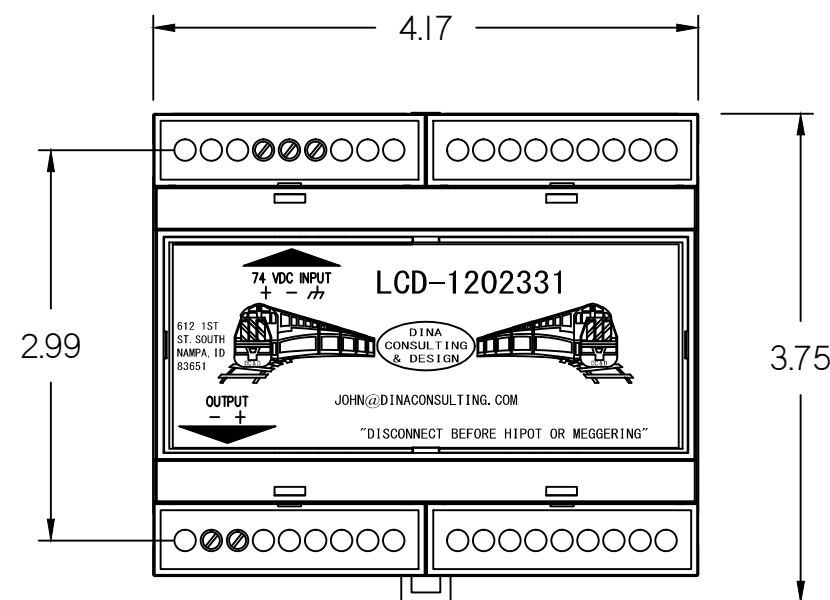
INPUT Power
 Voltage range: 36VDC – 90VDC
 Current: 100W

OUTPUT POWER
 Voltage Output: 63 VDC
 Current: 1.5 AMP @ 63 VDC
 Efficiency: 88%

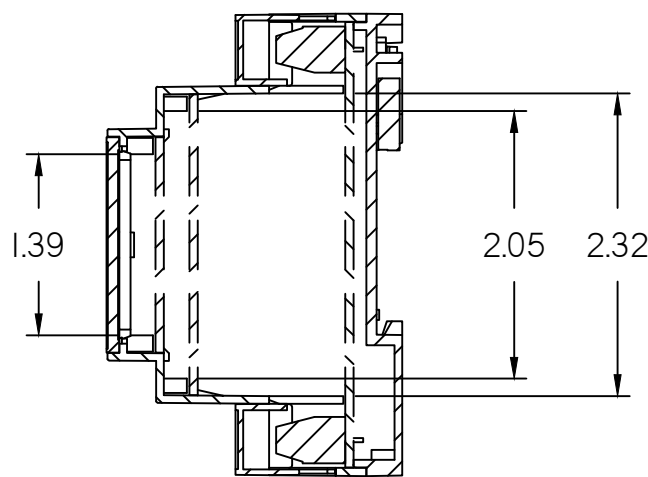
Environmental
 Operational Temp: -40 C to +85 C
 Storage Temp: -50 C to +100 C



BOTTOM VIEW



FRONT VIEW



SIDE VIEW

REV	DESCRIPTION	DATE	REVISION HISTORY
-	INITIAL RELEASE	07/10/13	J. MANGEAC DCD J. DINA
			REVISOR BY CHECKED BY RELEASED BY

UNLESS OTHERWISE SPECIFIED, DIMENSIONS ARE IN INCHES. TOLERANCES ARE: DECIMALS X = ±.2 .XX = ±.06 .XXX = ±.010 FRACTIONS X/X = ±1/4 ANGLES X = ±1° XX = ±0.5°	APPROVALS DRAWN: JOMANGEAC 07/07/13 CHECKED: DCD 07/07/13 ENGINEER: JDINA 07/07/13		612 1ST SOUTH DINA CONSULTING.COM 208-936-3300
	FIRST USED -		
	MODEL FILE		
	DRAFT FILE		
THIRD ANGLE PROJECTION		DWG SIZE: B	DRAWING NUMBER: LCD-1202331
		DRAFT FILE	REV: -
LAST SAVED		SCALE: 1:1.5	WEIGHT: 1.16LBS
		SHEET 01 OF 01	

DC & D
 DINA CONSULTING & DESIGN

DESCRIPTION
**POWER BOOST SUPPLY 74VDC
 1.5 A BOOSTER**

DWG SIZE: B DRAWING NUMBER: LCD-1202331 REV: -

SCALE: 1:1.5 WEIGHT: 1.16LBS SHEET 01 OF 01