

VENDOR: DINA CONSULTING
 612 ST SOUTH
 NAMPA IDAHO 83651

P/N: LCD-1201916
 UOM: EA

DESIGNED TO EXCEED EMC REQUIREMENTS IEC 60571

2 YEAR WARRANTY

CONTACT INFO:

SALES REP: JOHN DINA
 PH: 1-208-440-1877
 EMAIL: JOHN@DINACONSULTING.COM

DWG NO. LCD-1201916

SH 01 REV A

BILL OF MATERIALS

ITEM	PART NUMBER	DESCRIPTION	QTY
1	LCD-1201919	LCD, GUARD	1
2	LCD-2012109	LCD, TOUCH DISPLAY BOARD	1
3	LCD-1201918	LCD, 6 PANEL INDICATOR PROGRAMMER	1
4	LCD-2012139	LCD, PROCESSOR BOARD	1

Input Power

Voltage Range: 18 - 85VDC
 Current: 100mA @ 74VDC, 160mA @ 36VDC, 210mA @ 24VDC

Signal Inputs

Number: Six
 Voltage Range: 12 - 80VDC
 Input Type: Opto-Isolated
 Over-Voltage Protect: Avalanche Diode @ ~100V
 Input Impedance: 50Kohm Resistive

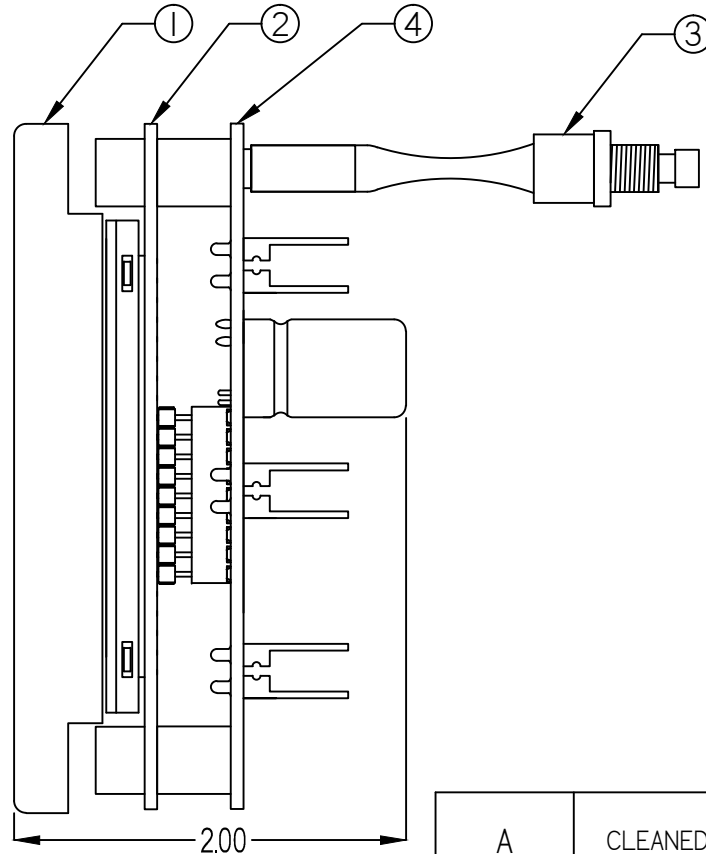
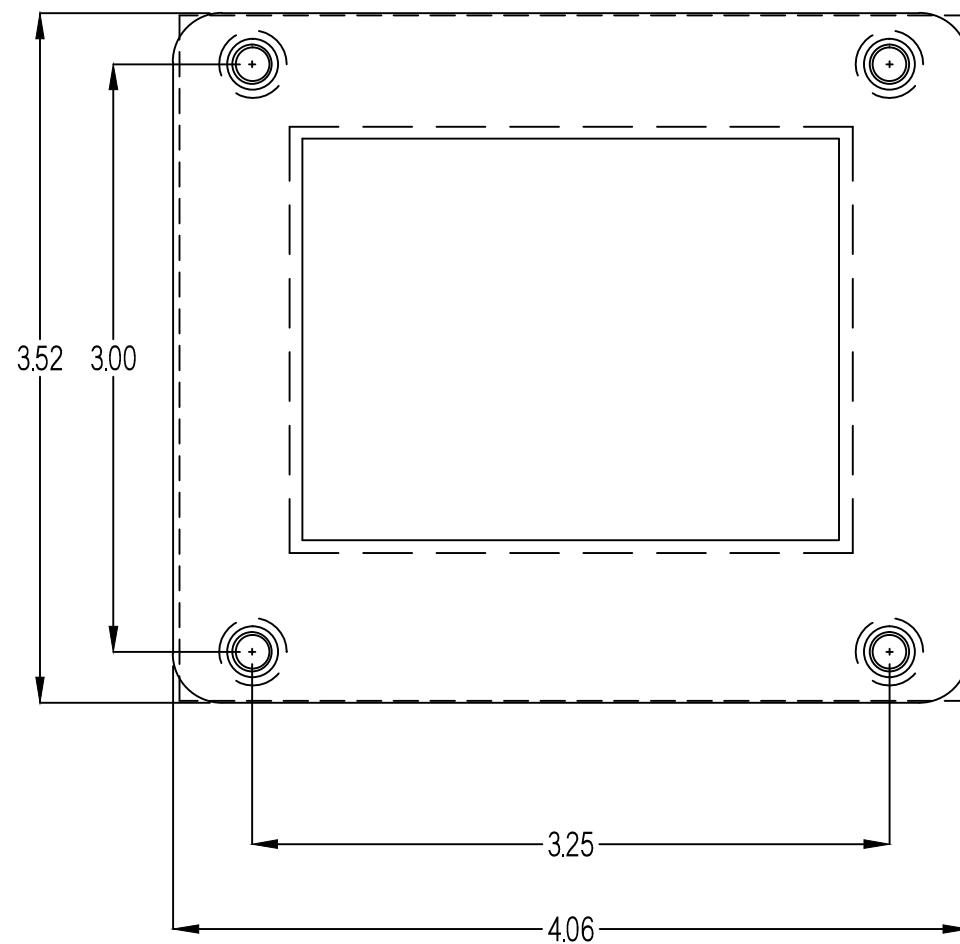
Environmental

Operational Temp: -40C to +85C

Display

Screen Size: 3.5" Diagonal
 Type: LCD QVGA TFT
 Display Format: 320 RGB(H) x 240(V)
 Backlight Type: LED
 Brightness: Adjustable, 800 nits Max
 Surface Treatment: Anti-Glare
 Touch Screen: Resistive 4-Wire

FRONT VIEW



RIGHT SIDE VIEW

REV	DESCRIPTION	DATE	REVISOR CHECKED BY RELEASED BY
A	CLEANED UP MISC COSMETICS	06/10/14	J. MANGEAC DCD J. DINA
-	INITIAL RELEASE	05/16/13	J. MANGEAC DCD J. DINA

REVISION HISTORY

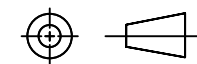
UNLESS OTHERWISE SPECIFIED, DIMENSIONS ARE IN INCHES. TOLERANCES ARE:

DECIMALS
 X = ±.2
 XX = ±.06
 XXX = ±.010

FRACTIONS
 XX = ±1/4

ANGLES
 X = ±1°
 XX = ±0.5°

DO NOT SCALE DRAWING
 THIRD ANGLE PROJECTION



APPROVALS		
DRAWN:	JOMANGEAC	05/10/13
CHECKED:	DCD	05/16/13
ENGINEER:	JDINA	05/16/13
FIRST USED		
MODEL FILE		
DRAFT FILE		
LAST SAVED		



DC & D
 DINA CONSULTING & DESIGN

612 1ST SOUTH
 DINACONSULTING.COM
 208-936-3300

DESCRIPTION
**LCD, ASSEMBLY
 6 PANEL INDICATOR**

DWG SIZE	DRAWING NUMBER	REV
B	LCD-1201916	A
SCALE: 1:1	WEIGHT: ILBS	SHEET 01 OF 01