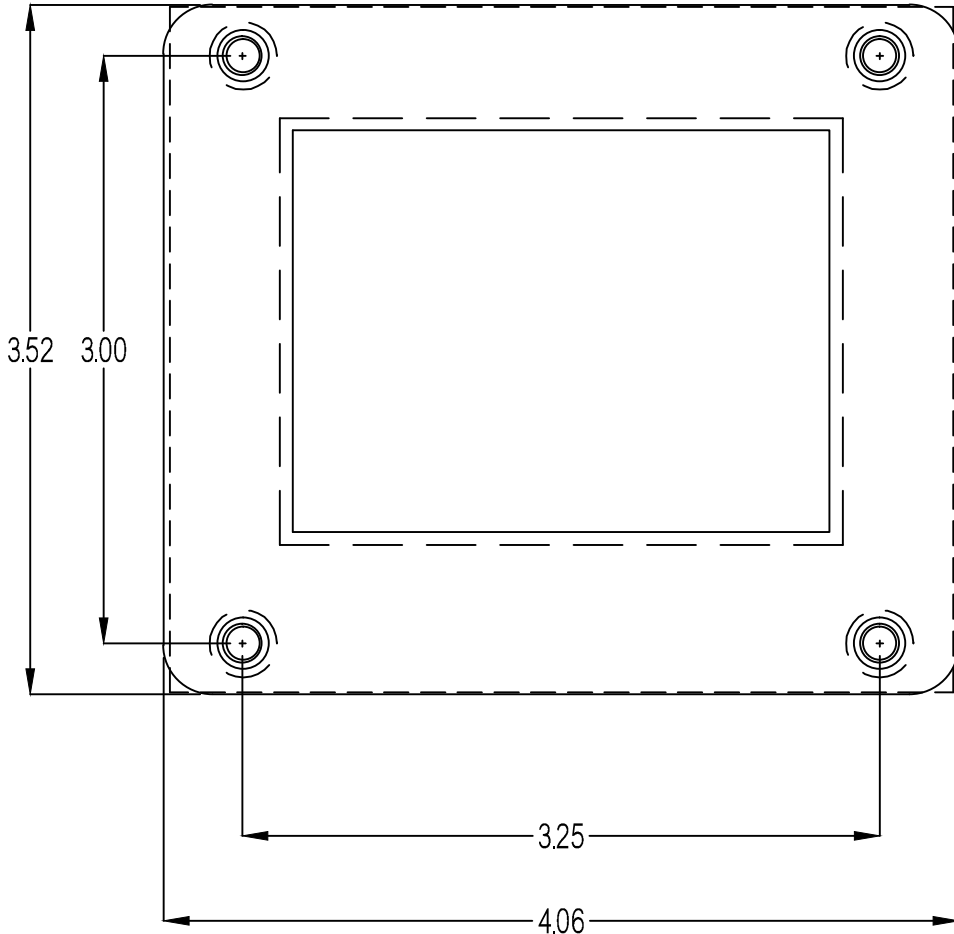


VENDOR: DINA CONSULTING
612 ST SOUTH
NAMPA IDAHO 83651

P/N: LCD-1201916
UOM: EA

DESIGNED TO EXCEED EMC REQUIREMENTS IEC 60571

2 YEAR WARRANTY



CONTACT INFO:

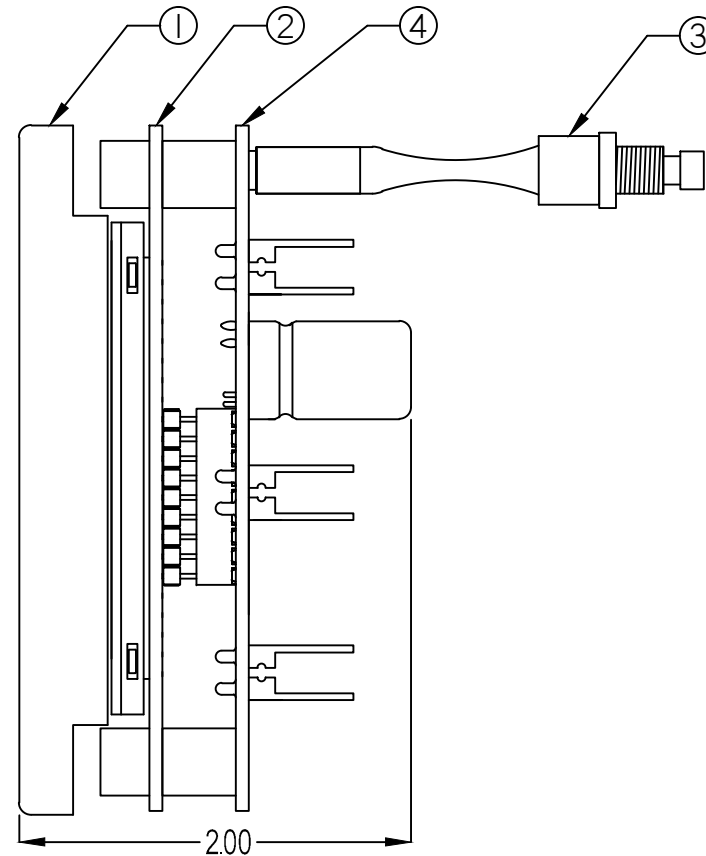
SALES REP: JOHN DINA
PH: 1-208-440-1877
EMAIL: JOHN@DINACONSULTING.COM

DWG NO. LCD-1201916

SH 01 REV -

BILL OF MATERIALS

ITEM	PART NUMBER	DESCRIPTION	QTY
1	LCD-1201919	LCD, GUARD	1
2	LCD-2012109	LCD, TOUCH DISPLAY BOARD	1
3	LCD-1201918	LCD, 6 PANEL INDICATOR PROGRAMMER	1
4	LCD-2012139	LCD, PROCESSOR BOARD	1



Input Power
Voltage Range: 18 - 80VDC
Current: 100mA @ 74VDC
160mA @ 36VDC
210mA @ 24VDC

Signal Inputs
Number: Six
Voltage Range: 12 - 80VDC
Input Type: Opto-Isolated
Over-Voltage Protect: Avalanche Diode @ ~100V
Input Impedance: 50Kohm Resistive

Environmental
Operational Temp: -20C to +70C
Storage Temp: -30C to +80C

Display
Screen Size: 3.5" Diagonal
Type: LCD QVGA TFT
Display Format: 320 RGB(H) x 240(V)
Backlight Type: LED
Brightness: Adjustable, 800 nits Max
Surface Treatment: Anti-Glare
Touch Screen: Resistive 4-Wire

REV	DESCRIPTION	DATE	REVISOR	CHECKED BY	RELEASED BY
-	INITIAL RELEASE		J. MANGEAC	DCD	J. DINA
		05/16/13			

UNLESS OTHERWISE SPECIFIED, DIMENSIONS ARE IN INCHES. TOLERANCES ARE:		APPROVALS		<p>DC & D DINA CONSULTING & DESIGN</p>	612 1ST SOUTH NAMPA IDAHO 83651	
DECIMALS	FRACTIONS	DRAWN:	JOMANGEAC			05/10/13
X = ±.2	XX = ±1/4	CHECKED:	DCD			05/16/13
.XX = ±.06	ANGLES	ENGINEER:	JDINA			05/16/13
XXX = ±0.10	X = ±1°	FIRST USED				
	XX = ±0.5°	MODEL FILE				
DO NOT SCALE DRAWING		DRAFT FILE				
THIRD ANGLE PROJECTION		LAST SAVED				
		DWG SIZE		DRAWING NUMBER		
		B		LCD-1201916		
		SCALE: 1:1		WEIGHT: ILBS		
				SHEET 01 OF 01		