

VENDOR: DINA CONSULTING
 612 ST SOUTH
 NAMPA IDAHO 83651

P/N: LCD-1201375
 UOM: EA

DESIGNED TO EXCEED EMC REQUIREMENTS IEC 60571

2 YEAR WARRANTY

CONTACT INFO:

SALES REP: JOHN DINA
 PH: 1-208-440-1877
 EMAIL: JOHN@DINACONSULTING.COM

INPUT POWER

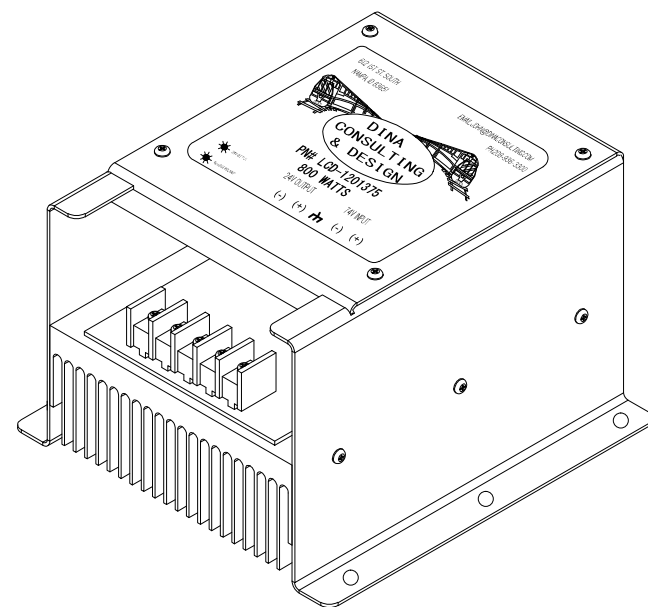
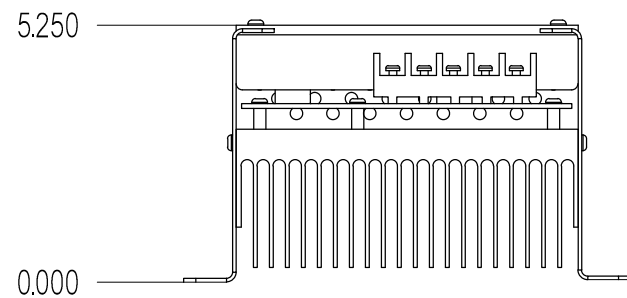
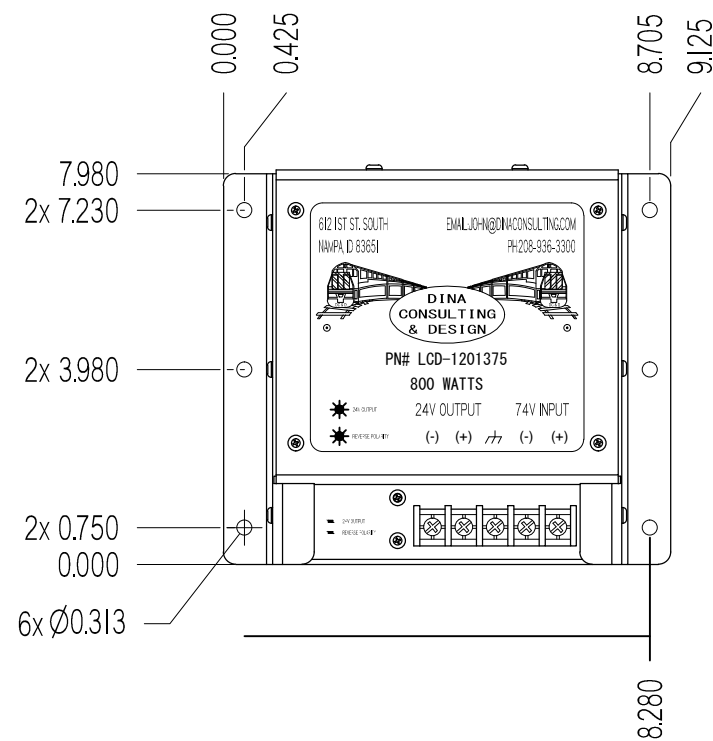
VOLTAGE RANGE: 43 VDC – 85 VDC
 UNDER VOLTAGE: (OFF AT 30 VDC)
 (ON AT 35 VDC)

OUTPUT POWER

VOLTAGE: 24 VDC
 CURRENT DRAW: 800 W AT 74 VDC
 EFFICIENCY: 87.9%
 VOLTAGE – ISOLATION: 3 KV (3000 V)
 OVER PROT. SET POINT: 28 VDC

ENVIRONMENT

OPERATIONAL AMBIENT TEMP: -40 C TO +85 C
 STORAGE TEMP: -50 C TO +100 C



-	INITIAL RELEASE	07/12/13	J. MANGEAC DCD J. DINA
REV	DESCRIPTION	DATE	REVISIED BY CHECKED BY RELEASED BY
REVISION HISTORY			
UNLESS OTHERWISE SPECIFIED, DIMENSIONS ARE IN INCHES. TOLERANCES ARE: DECIMALS X = ±.2 XX = ±.06 XXX = ±.010 FRACTIONS X/X = ±1/4 ANGLES X = ±1° XX = ±0.5°		DC & D DINA CONSULTING & DESIGN 612 1ST SOUTH DINACONSULTING.COM 208-936-3300	
APPROVALS		DESCRIPTION POWER SUPPLY, DC/DC CONVERTER 74/ 24VDC, 33AMP	
DRAWN: JOMANGEAC	06/15/13		
CHECKED: DCD	07/10/13		
ENGINEER: JDINA	07/10/13		
FIRST USED			
THIRD ANGLE PROJECTION	MODEL FILE	DWG SIZE	DRAWING NUMBER
	DRAFT FILE	B	LCD-1201375
	LAST SAVED	SCALE: 1/4	REV -
		WEIGHT: 11 LBS	SHEET 01 OF 01