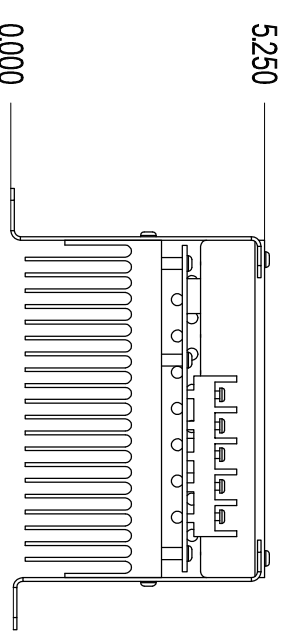
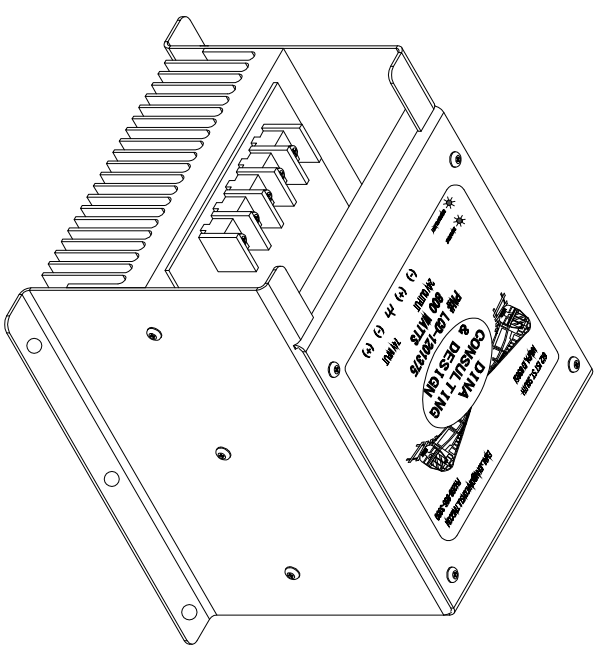
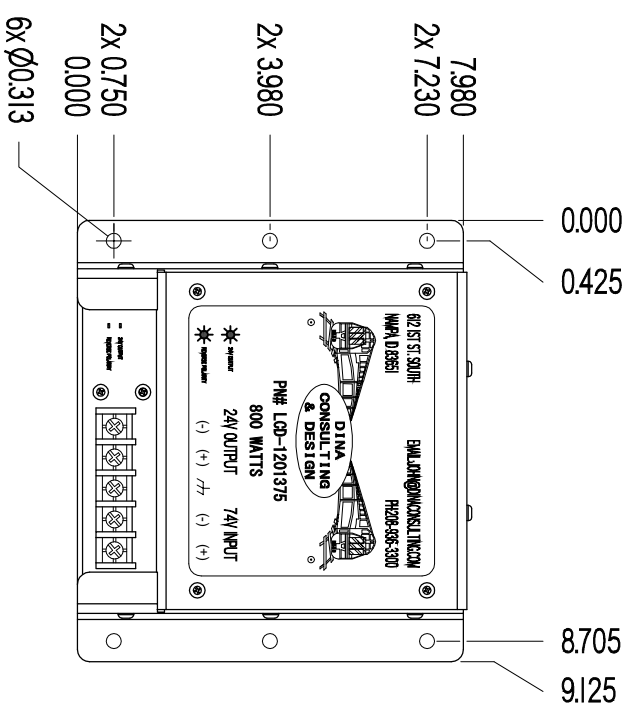


VENDOR: DINA CONSULTING  
 612 ST SOUTH  
 NAMPA IDAHO 83651  
 P/N: LCD-1201375  
 UOM: EA

DESIGNED TO EXCEED EMC REQUIREMENTS IEC 60571  
 2 YEAR WARRANTY

CONTACT INFO:  
 SALES REP: JOHN DINA  
 PH: 1-208-440-1877  
 EMAIL: JOHN@DINACONSULTING.COM

**INPUT POWER**  
 VOLTAGE RANGE: 43 VDC - 85 VDC  
 UNDER VOLTAGE: (OFF AT 30 VDC)  
 (ON AT 35 VDC)  
**OUTPUT POWER**  
 VOLTAGE: 24 VDC  
 CURRENT DRAW: 800 W AT 74 VDC  
 EFFICIENCY: 87.9%  
 VOLTAGE - ISOLATION: 3 KV (3000 V)  
 OVER PROT. SET POINT: 28 VDC  
**ENVIRONMENT**  
 OPERATIONAL AMBIENT TEMP: -25 C TO +85 C  
 STORAGE TEMP: -30 C TO +100 C



REV	DESCRIPTION	DATE	REVISION HISTORY
-	INITIAL RELEASE		
			REVISOR: J MANGEAC CHECKED BY: DCD RELEASED BY: J. DINA
		07/12/13	

APPROVALS	
DRAWN: JOMANGEAC	06/15/13
CHECKED: DCD	07/10/13
ENGINEER: JDINA	07/10/13
FIRST USED	
MODEL FILE	
DRAFT FILE	
LAST SAVED	

**DC & D**  
 DINA CONSULTING & DESIGN  
 612 1ST SOUTH  
 NAMPA IDAHO  
 83651

DESCRIPTION:  
**POWER SUPPLY, DC/DC CONVERTER**  
 74/ 24VDC, 33AMP

DWG SIZE: B  
 DRAWING NUMBER: LCD-1201375

UNLESS OTHERWISE SPECIFIED, DIMENSIONS ARE IN INCHES. TOLERANCES ARE:	
DECIMALS	FRACTIONS
X = ±.2	XX = ±1/4
XX = ±.06	XXX = ±.010
ANGLES	X = ±1°
	XX = ±0.5°
DO NOT SCALE DRAWING	
THIRD ANGLE PROJECTION	

