

DWG NO. LCD-1173573 SH 01 REV -

BILL OF MATERIALS

ITEM	PART NUMBER	DESCRIPTION	QTY
1		PIGGYBACK FASTON	2
2		WIRE, 16GA	12.5"
3		HEAT SHRINK, 1/2" BLK	1.5"
4		LABEL WITH PART NUMBER	1
5		RECTIFIER, 6A 1000V	1
6		SOLDER, ROSIN-CORE	AR
7		TERMINAL LABEL, "-"	1
8		TERMINAL LABEL, "+"	1

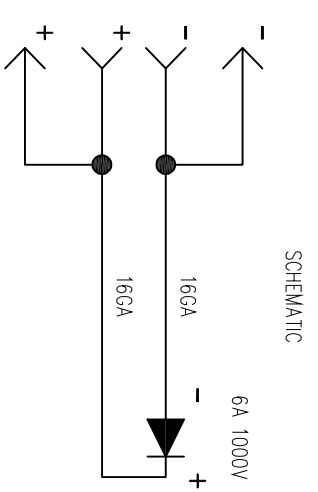
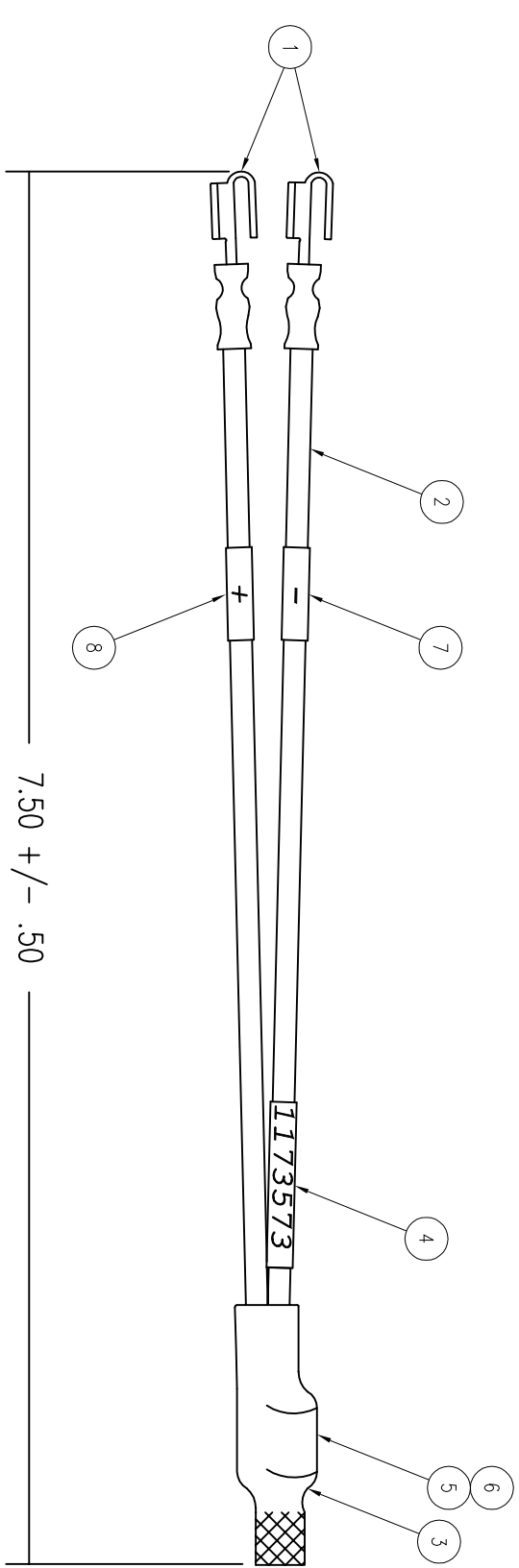
VENDOR: DINA CONSULTING
 612 ST SOUTH
 NAMPA IDAHO 83651

P/N: LCD-1173573
 UOM: EA

CONTACT INFO:
 SALES REP: JOHN DINA
 PH: 1-208-440-1877
 EMAIL: JOHN@DINACONSULTING.COM

DESIGNED TO EXCEED EMC REQUIREMENTS IEC 60571

2 YEAR WARRANTY



REV	DESCRIPTION	DATE	REVISED BY CHECKED BY RELEASED BY	J MANGEAC DCD J. DINA
-	INITIAL RELEASE			

UNLESS OTHERWISE SPECIFIED, DIMENSIONS ARE IN INCHES. TOLERANCES ARE:		APPROVALS		 DINA CONSULTING & DESIGN	612 1ST SOUTH NAMPA IDAHO 83651
DECIMALS	FRACTIONS	DRAWN	CHECKED		
X = ±.2	XX = ±1/4	JOMANGEAC	DCD	07/21/12	
XX = ±.06	XXX = ±.010		JDINA	07/21/12	
ANGLES X = ±1° XX = ±0.5°		FIRST USED		DESCRIPTION DIODE SUPPRESSOR, 6AMP	
DO NOT SCALE DRAWING		MODEL FILE		DWG SIZE	
THIRD ANGLE PROJECTION		DRAFT FILE		DRAWING NUMBER	
		LAST SAVED		LCD-1173573	
				SCALE: 1:1	
				WEIGHT: LBS	
				SHEET 01 OF 01	
				REV -	

8 7 6 5 4 3 2 1