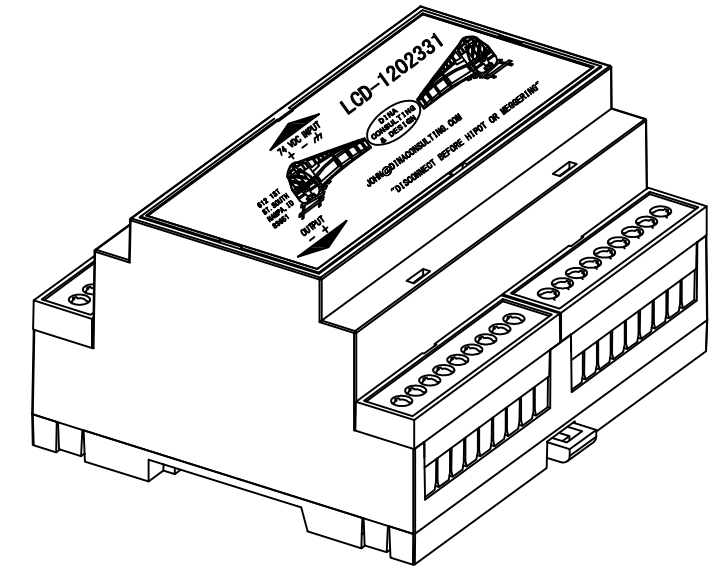
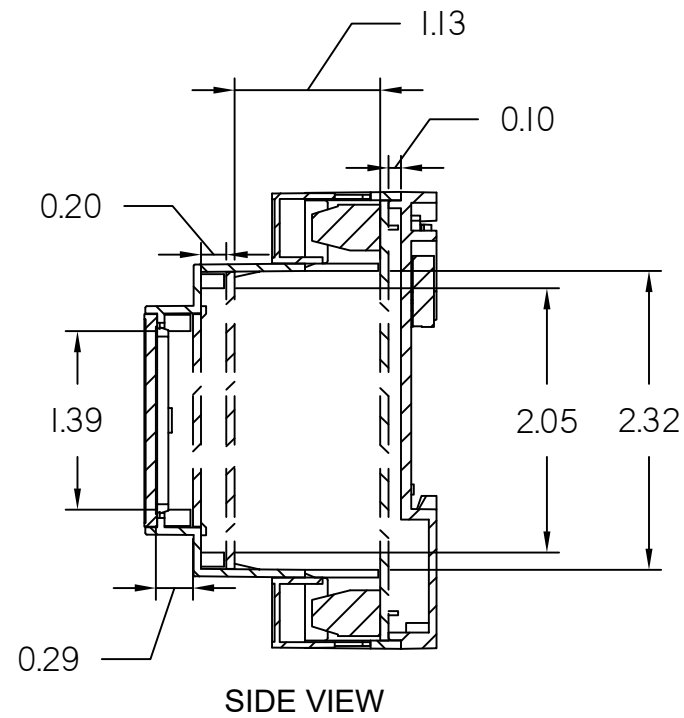
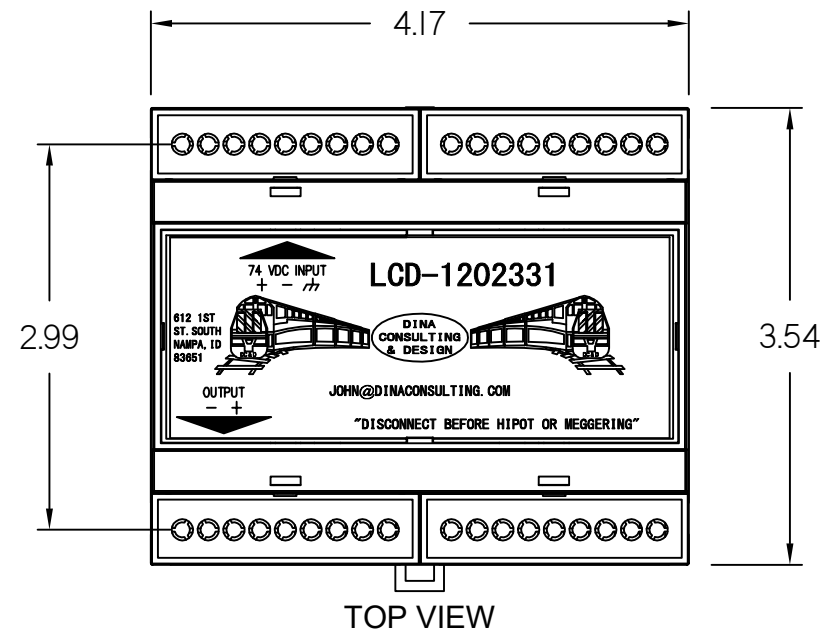
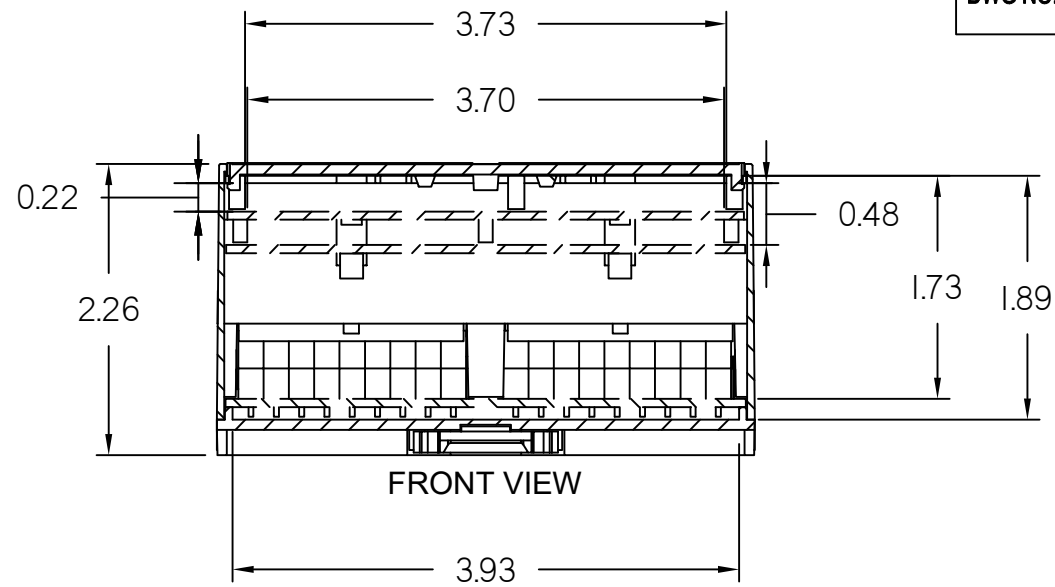


VENDOR: DINA CONSULTING & DESIGN  
 612 1ST SOUTH NAMPA IDAHO 83651  
 JOHN@DINACONSULTING.COM  
 208-440-1877/208936-3300

VENDOR PN#LCD-1202331  
 UOM-EACH

- NOTES:  
 1) INPUT VOLTAGE 30-80 VDC.  
 2) LOAD 1.5 AMPS BELOW 63 VDC.



-	INITIAL RELEASE	REVISOR	J. MANGEAC
REV	DESCRIPTION	CHECKED BY	DCD
		RELEASED BY	J. DINA
		DATE	07/10/13
REVISION HISTORY			
UNLESS OTHERWISE SPECIFIED, DIMENSIONS ARE IN INCHES. TOLERANCES ARE:		APPROVALS	
DECIMALS	FRACTIONS	DRAWN:	JOMANGEAC 07/07/13
X = ±2	X/X = ±1/4	CHECKED:	DCD 07/12/13
XX = ±0.06	ANGLES	ENGINEER:	JDINA 07/15/13
XXX = ±0.010	X = ±1°	FIRST USED	-
	XX = ±0.5°	MODEL FILE	
DO NOT SCALE DRAWING		DRAFT FILE	
THIRD ANGLE PROJECTION		LAST SAVED	
		<b>DC &amp; D</b> DINA CONSULTING & DESIGN	
		612 1ST SOUTH NAMPA IDAHO 83651 JDINA1109@YAHOO.COM 208-440-1877	
		DESCRIPTION	
		<b>POWER BOOST SUPPLY 74VDC</b>	
DWG SIZE	DRAWING NUMBER	REV	
<b>B</b>	<b>LCD-1202331</b>	-	
SCALE: 1:1.5	WEIGHT:	SHEET	01 OF 01