

VENDOR: DINA CONSULTING
612 ST SOUTH
NAMPA IDAHO 83686

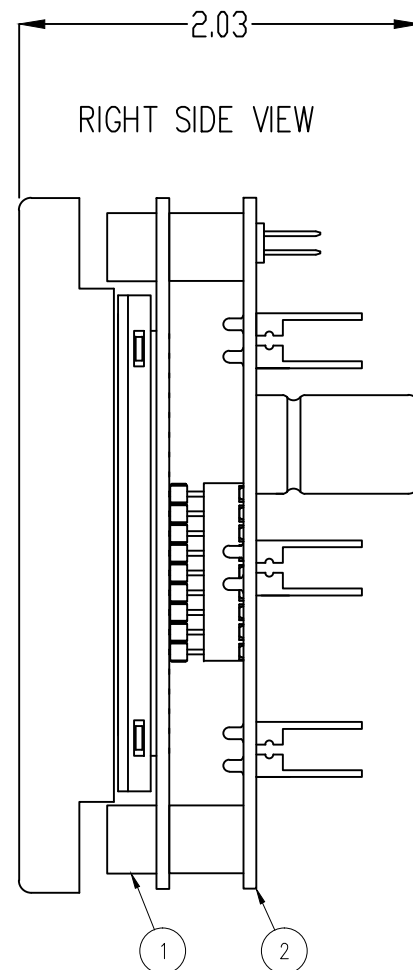
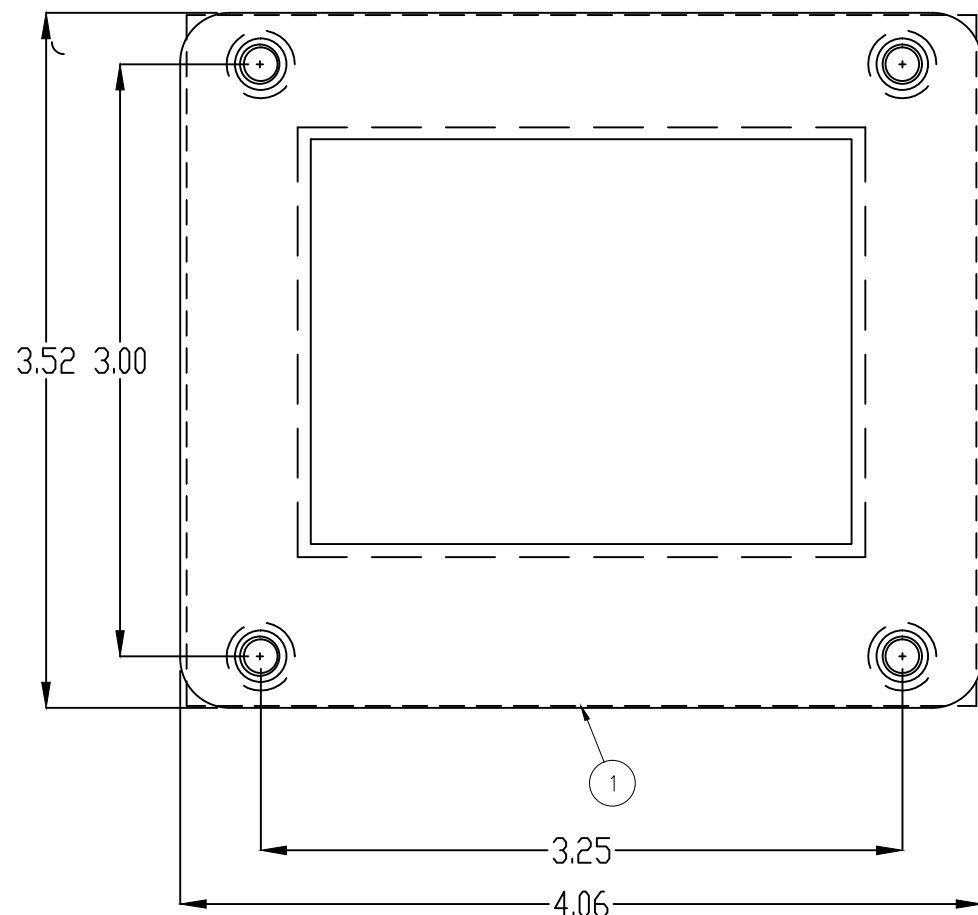
P/N: LCD-1201916
UOM: EA

DESIGNED TO EXCEED EMC REQUIREMENTS OF MPI
TS-00001E, APPENDIX E / IEC-60571

2 YEAR WARRANTY

SALES REP: JOHN DINA

FRONT VIEW



BILL OF MATERIALS			
ITEM	PART NUMBER	DESCRIPTION	QTY
1	LCD-1201920	DISPLAY	1
2	LCD-1201919	GUARD	1

Input Power
Voltage Range: 18 - 80VDC
Current: 100mA @ 74VDC
160mA @ 36VDC
210mA @ 24VDC

Signal Inputs
Number: Six
Voltage Range: 12 - 80VDC
Input Type: Opto-Isolated
Over-Voltage Protect: Avalanche Diode @ ~100V
Input Impedance: 50Kohm Resistive

Environmental
Operational Temp: -20C to +70C
Storage Temp: -30C to +80C

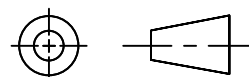
Display
Screen Size: 3.5" Diagonal
Type: LCD QVGA TFT
Display Format: 320 RGB(H) x 240(V)
Backlight Type: LED
Brightness: Adjustable, 800 nits Max
Surface Treatment: Anti-Glare
Touch Screen: Resistive 4-Wire

REV	DESCRIPTION	DATE	REVISOR CHECKED BY RELEASED BY
-	INITIAL RELEASE;	07/09/12	JOMANGEAC JDINA JDINA

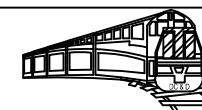
REVISION HISTORY

UNLESS OTHERWISE SPECIFIED, DIMENSIONS ARE IN INCHES. TOLERANCES ARE:
DECIMALS
X = ±.2
.XX = ±.06
XXX = ±.010
FRACTIONS
X/X = ±1/4
ANGLES
X = ±1°
XX = ±0.5°

THIRD ANGLE PROJECTION



APPROVALS	DATE
DRAWN JOMANGEAC	07/09/12
CHECK BY JDINA	07/09/12
ENGINEER JDINA	07/09/12
FIRST USED	-



DC & D
DINA CONSULTING & DESIGN

TITLE / DESC
LCD ASSEMBLY

DWG SIZE	DRAWING NUMBER	REV
B	LCD-1201916	-
SCALE	AUTOCAD	SHEET 01 OF 01

NON-DISCLOSURE AGREEMENT: THE INFORMATION BEING PROVIDED HERE-IN IS PROPRIETARY TO DINA CONSULTING & DESIGN, THIS INFORMATION IS BEING PROVIDED TO OUR CLIENT WITH THE UNDERSTANDING THAT IT WILL BE RETAINED IN CONFIDENCE AND WILL NOT BE REPRODUCED OR COMMUNICATED TO ANY THIRD PARTIES EXCEPT AS REQUIRED BY LAW AND/OR DINA CONSULTING AND DESIGN.