

VENDOR: DINA CONSULTING
 612 ST SOUTH
 NAMPA IDAHO 83686

P/N: LCD-1201375
 UOM: EA

DESIGNED TO EXCEED EMC REQUIREMENTS OF MPI
 TS-00001E, APPENDIX E

2 YEAR WARRANTY

CONTACT INFO:

SALES REP: JOHN DINA
 PH: 1-208-440-1877
 EMAIL: JOHN@DINACONSULTING.COM

Input Power

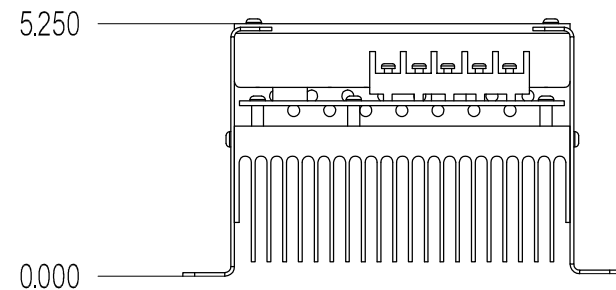
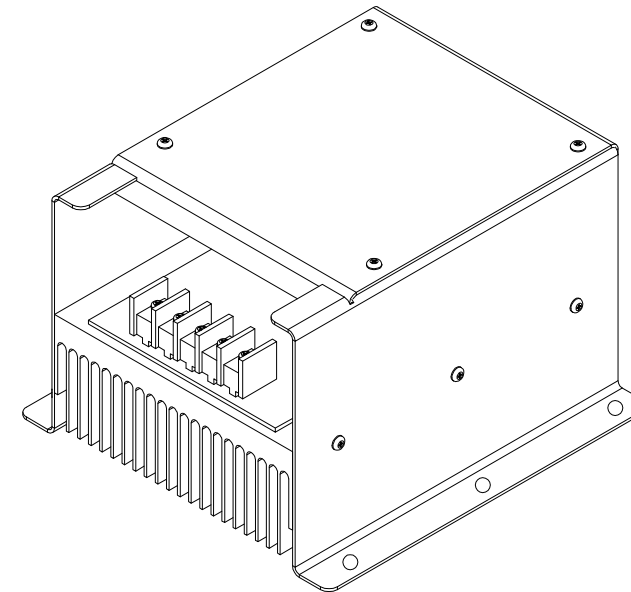
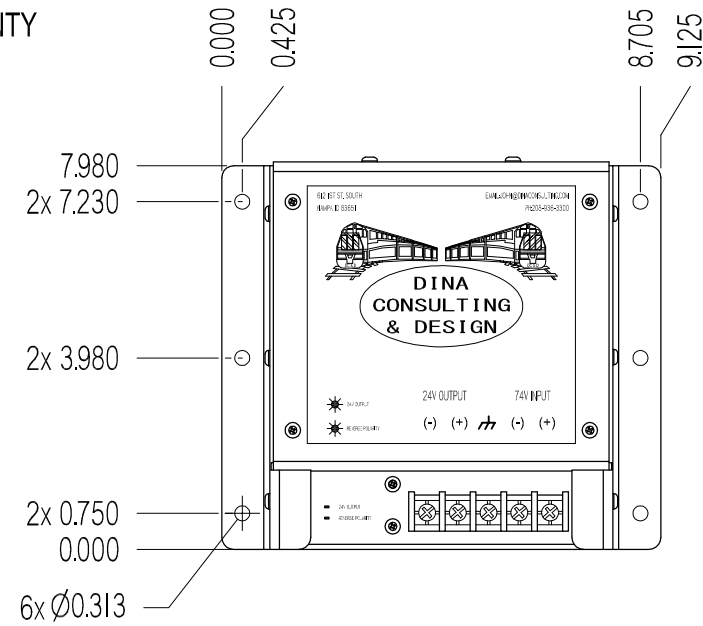
Voltage Range: 43VDC - 85VDC
 Under Voltage : (OFF at 36VDC)
 (ON at 42VDC)

Output Power:


Current Draw: 800W
 Efficiency: 87.9%
 Voltage - Isolation: 3kV (3000V)
 Over Prot. Setpoint: 28VDC

Environmental

Operational Ambient Temp: -25C to +85C
 Storage Temp: -30C to +100C



REV	DESCRIPTION	DATE	REVISD BY CHECKED BY RELEASED BY	J. MANGEAC DCD J. DINA
-	INITIAL RELEASE			
REVISION HISTORY				

UNLESS OTHERWISE SPECIFIED, DIMENSIONS ARE IN INCHES. TOLERANCES ARE: <u>DECIMALS</u> X = ±.2 .XX = ±.06 .XXX = ±.010 <u>FRACTIONS</u> X/X = ±1/4 <u>ANGLES</u> X = ±1° XX = ±0.5° DO NOT SCALE DRAWING THIRD ANGLE PROJECTION	APPROVALS DRAWN: J. MANGEAC 06/15/13 CHECKED: DCD 07/10/13 ENGINEER: J. DINA 07/10/13		 612 1ST SOUTH JDINA1109@YAHOO.COM 208-440-1877		
	FIRST USED MODEL FILE DRAFT FILE LAST SAVED				DESCRIPTION 33 AMP POWER SUPPLY, 24VDC ASSEMBLY
			DWG SIZE B	LCD-1201375 REV -	
			SCALE: 1:4	WEIGHT:	SHEET 1 OF 1