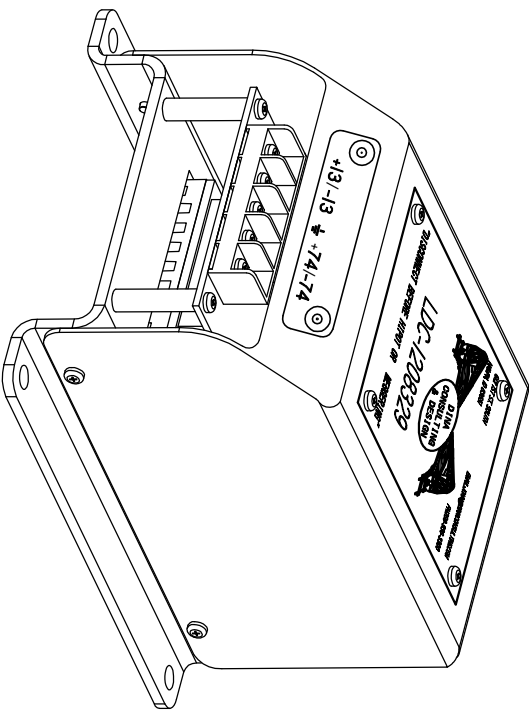
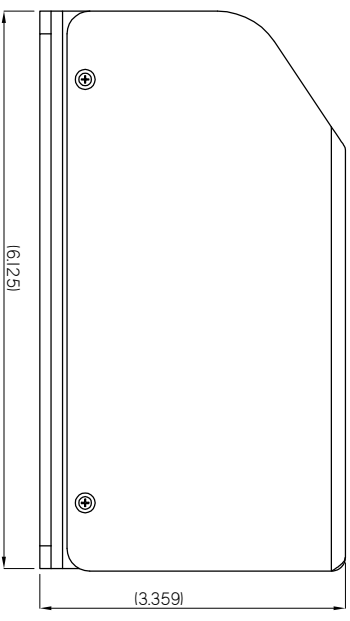
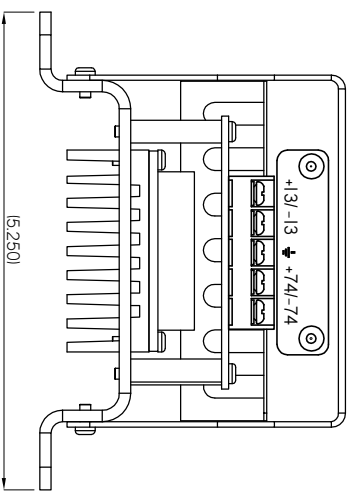
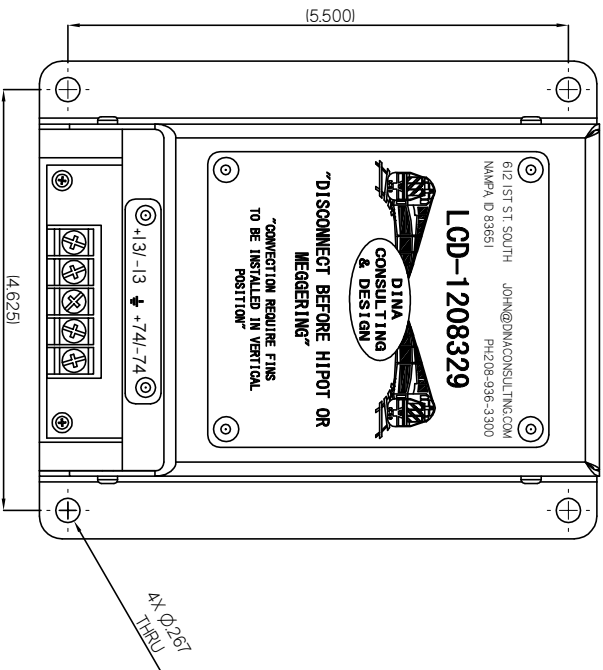


VENDOR: DINA CONSULTING
612 ST SOUTH
NAMPA IDAHO 83651
PN: LCD-1208329
UOM: EA

CONTACT INFO:
SALES REP: JOHN DINA
PH: 1-208-440-1877
EMAIL: JOHN@DINACONSULTING.COM

DESIGNED TO EXCEED EMC REQUIREMENTS OF MPI
TS-00001E, APPENDIX E
2 YEAR WARRANTY



INPUT POWER

VOLTAGE RANGE: 43 VDC - 85 VDC
 (OFF AT 30 VDC)
 (ON AT 35 VDC)

OUTPUT POWER

VOLTAGE: 13.8 VDC
CURRENT DRAW: 16 AMP
EFFICIENCY: 87.9%
VOLTAGE - ISOLATION: 3 KV (3000 V)
OVER PROT. SET POINT: 18 VDC

ENVIRONMENT

OPERATIONAL AMBIENT TEMP: -25 C TO +85 C
STORAGE TEMP: -30 C TO +100 C

REV	INITIAL RELEASE:	REVISIED BY CHECKED BY RELEASED BY	DATE	JMANGEAC DCD JDINA
-				
REV			06/25/2016	

REVISION HISTORY

UNLESS OTHERWISE SPECIFIED, DIMENSIONS ARE IN INCHES. DIMENSIONS ARE DECIMALS.	APPROVALS	DATES
DESIGNER: X.X.X.X	DESIGNED BY: X.X.X.X	DATE: X.X.X.X
CHECKER: X.X.X.X	DESIGNED BY: X.X.X.X	DATE: X.X.X.X
DATE: X.X.X.X	DESIGNED BY: X.X.X.X	DATE: X.X.X.X
DATE: X.X.X.X	DESIGNED BY: X.X.X.X	DATE: X.X.X.X
DATE: X.X.X.X	DESIGNED BY: X.X.X.X	DATE: X.X.X.X

DO NOT SCALE DRAWING

REVISION HISTORY

REV	DATE	DESCRIPTION
D		POWER SUPPLY, DC/DC CONVERTER 16 AMP, 13.8 VDC

SCALE: 1:2 WEIGHT: N/A SHEET 1 OF 1

DC & D
DINA CONSULTING & DESIGN
 612 ST SOUTH
 208-440-1877
 JOHN@DINACONSULTING.COM

REV