

VENDOR: DINA CONSULTING

612 ST SOUTH
NAMPWA IDAHO 83651

P/N: LCD-1208328
UOM: EA

DESIGNED TO EXCEED EMC REQUIREMENTS OF MPI
TS-00001E, APPENDIX E

2 YEAR WARRANTY

CONTACT INFO:

SALES REP: JOHN DINA
PH: 1-208-440-1877
EMAIL: JOHN@DINACONSULTING.COM

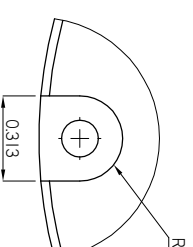
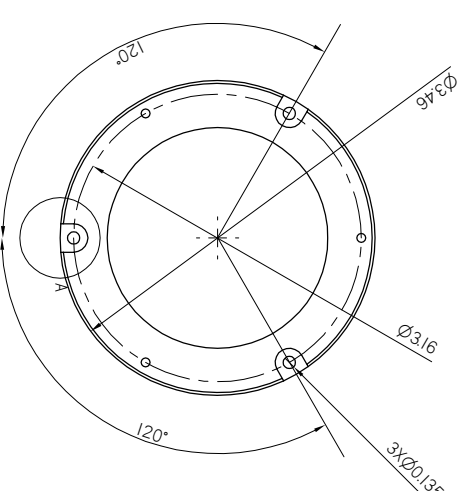
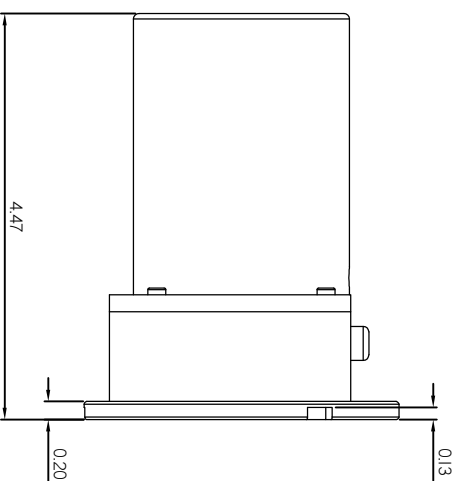
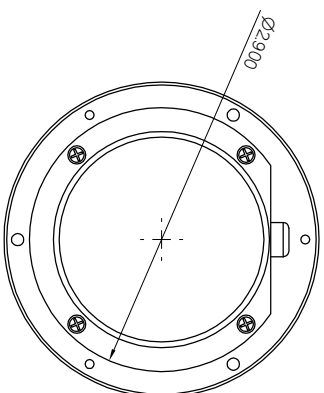
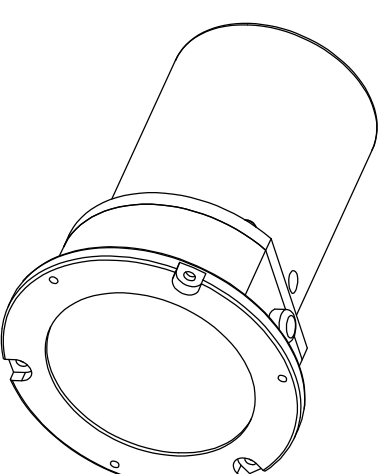
INPUT POWER

VOLTAGE RANGE:

46VDC - 74VDC
120VAC

ENVIRONMENT

OPERATIONAL AMBIENT TEMP: -25C TO +85C
STORAGE TEMP: -30C TO +100C



DETAIL A
SCALE 3:1

REV	INITIAL RELEASE:	REVISOR BY CHECKED BY RELEASED BY	DATE	DESCRIPTION
-		JMANGEAC DCD JDINA	06/20/2016	

REVISION HISTORY

APPROVALS	DATES	DESCRIPTION
DESIGNED BY: JDN	2016.06.20	INITIAL RELEASE
CHECKED BY: JDN		
RELEASED BY: JDN		
DATE: 06/20/2016		

UNLESS OTHERWISE SPECIFIED, DIMENSIONS ARE IN INCHES UNLESS OTHERWISE SPECIFIED.

FINISHES: XX.XX ± .05
DIMENSIONS: XX.XX ± .05
DIMENSIONS: XX.XX ± .05
DIMENSIONS: XX.XX ± .05

DO NOT SCALE DRAWING

EMERGENCY CAB LIGHT W/90MIN BACKUP BATTERY

SCALE: 1/2" = 1"

WEIGHT: N/A

SHEET 1 OF 1

