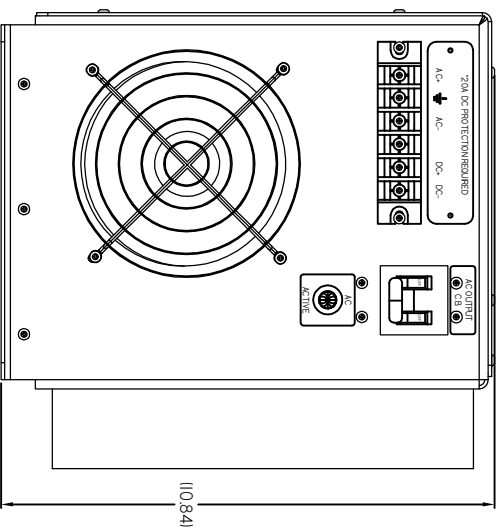
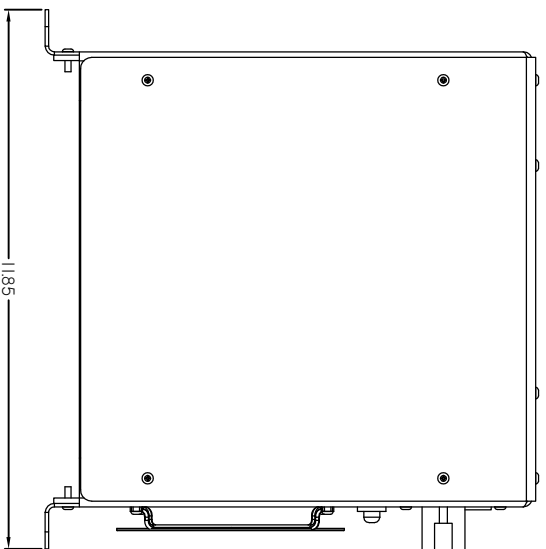
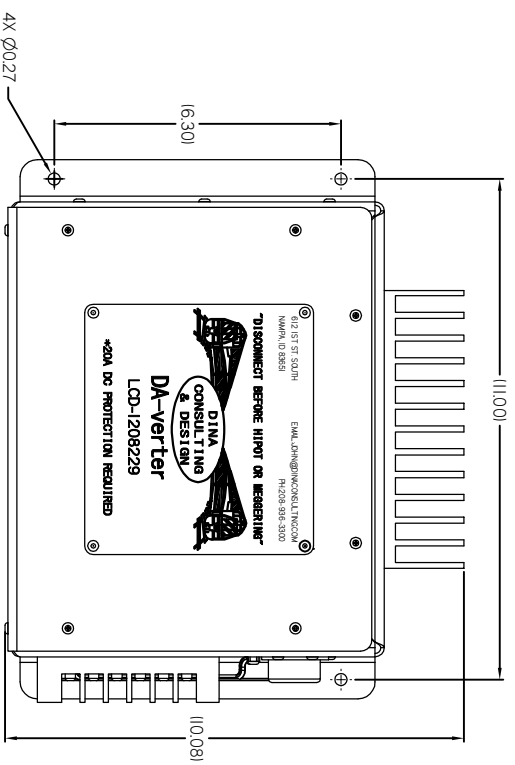


VENDOR: DINA CONSULTING
 612 ST SOUTH
 NAMPA IDAHO 83651
 PN: LCD-1208229
 UOM: EA

CONTACT INFO:
 SALES REP: JOHN DINA
 PH: 1-208-440-1877
 EMAIL: JOHN@DINACONSULTING.COM

DESIGNED TO EXCEED EMC REQUIREMENTS OF MPI
 TS-00001E, APPENDIX E
 2 YEAR WARRANTY



INPUT POWER

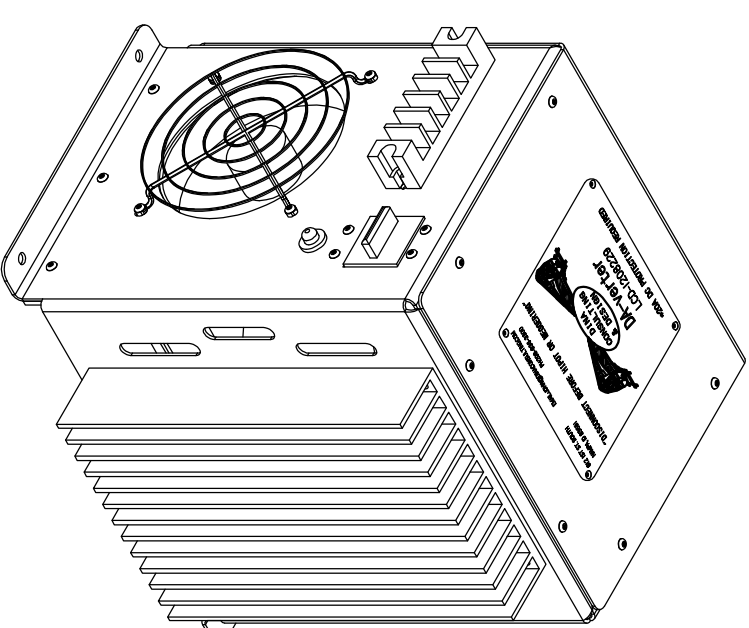
VOLTAGE RANGE: 56VDC - 90VDC
 UNDER VOLTAGE: (OFF AT 56VDC)

OUTPUT POWER

VOLTAGE: 115VAC
 CURRENT DRAW: 10 AMPS
 EFFICIENCY: 87.9%
 VOLTAGE - ISOLATION: 1.2 kVA (1200V)
 OVER PROT. SET POINT: 130VAC

ENVIRONMENT

OPERATIONAL AMBIENT TEMP: -25C TO +85C
 STORAGE TEMP: -30C TO +100C



INITIAL RELEASE:	REVISOR	DATE	REVISION
-	DCD	06/28/2016	1
REV	JDM		

REVISION HISTORY

DESIGNER	DATE	DESCRIPTION
JDM	06/28/2016	DC TO AC INVERTER 74 VDC - 115 VAC OUTPUT
CHKD BY	DATE	DESCRIPTION
DCD	06/28/2016	DC TO AC INVERTER 74 VDC - 115 VAC OUTPUT

